

8T Series



Applications

Compact profile and high density connectors for all military and aeronautical purposes

Standards

MIL-C 38999 Series II - QPL approved
NFC 93422 HE 309
VG 96912 series II
PAN 6433-1
BS 9522 N 003



Description

- High density connectors from 1 to 128 contacts
- Sizes 22D, 20, 16, 12
- A compact profile
- Bayonet locking system
- An excellent shock vibration and fluid resistance

Characteristics

Mechanical

- Shell : aluminum alloy
- Plating :
 - olive green cadmium (G and B)
 - nickel (F) - hard anodized (C)
- Insulator : thermoplastic
- Grommet and seal : silicone elastomer
- Contact : copper alloy
- Plating : gold over nickel
- Endurance :
 - 500 mating/unmating operations
- Shock : 300 g during 3 ms
- Vibration :
 - random 100 to 1000 Hz - 1 g²/Hz
- Contact retention (mini force in N) :
 - size 22D : 44 N size 20 : 67 N
 - size 16 : 110 N size 12 : 110 N

Electrical

- Test voltage (Vrms)

| Service | sea level | at 21000 m |
|---------|-----------|------------|
| M | 1300 | 800 |
| I | 1800 | 1000 |
| II | 2300 | 1000 |

- Contact resistance :
 - size 22 D : 14.6 mΩ size 16 : 3.8 mΩ
 - size 20 : 7.3 mΩ
- Insulation resistance :
 - ≥ 5000 MΩ (at 500 Vdc)
- Contact rating :
 - size 22 D : 5 A size 16 : 13 A
 - size 20 : 7.5 A size 12 : 23 A
- Shell continuity :
 - olive green plating : 2.5 mΩ
 - nickel plating : 1 mΩ

Climatic

- Temperature range :
 - cadmium plating (G) -65°C +175°C
 - (B) -65°C +175°C
 - nickel plating (F) -65°C +200°C
 - hard anodized (C) -65°C +200°C
- Sealing : mated connectors
 - differential pressure 1 bar ; leakage ≤ 8 cm³/hr
- Salt spray to :
 - MIL-STD 1344 method 1001
 - 500 hours (plating B)
 - 48 hours (plating F-C)
 - NFC 93422
 - 48 hours (plating G-F-C)
- Damp heat :
 - MIL-C 38999 : 10 cycles (24 hours)
 - NFC 93422 : 56 days

Resistance to fluids

To MIL-L 38999 :
MIL-L 7808, MIL-L 23699, MIL-H 5606,
MIL-A 8243, MIL-L 25769, MIL-G 3056,
MIL-T 5624 (JP5) ; hydraulic fluids ; solvents
To NFC 93422 :
F 46, F 54, O/180, H 515, H 542, XH 45

Ordering information

FCI Souriau - Part numbers

| basic series | 8 T 3 - 14 G 35 P N | | | | | | | | |
|-----------------------|--|--|--|--|--|--|--|--|--|
| shell type | 2 - square flange receptacle not accepting backshells 3 - square flange receptacle (rear mounting) 7 - jam nut receptacle 1 - cable connecting receptacle 6 - plug | | | | | | | | |
| designator | - connectors with standard crimp contacts L - receptacle with long spill (male and female # 22D) C - receptacle with short spill (male # 22D - # 20 - # 16) | | | | | | | | |
| shell size | 08-10-12-14-16-18-20-22-24 | | | | | | | | |
| plating | G - olive green cadmium (HE 309) F - nickel B - olive green cadmium (MIL-C 38999) C - hard anodized | | | | | | | | |
| contact layout | - see table p 120 | | | | | | | | |
| contact type | P - male S - female | | | | A - male connector without contact or with special contacts B - female connector without contact or with special contacts | | | | |
| polarization | N-A-B-C-D - see table p 100 | | | | | | | | |

Note : connectors supplied with standard contacts

8T Series



MIL-C 38999 Series II

| | | | | | | | | |
|-----------------------|--|--------------|---|-----------|--------------------------|-----------|----------|----------|
| basic series | MS | 27497 | T | 14 | B | 35 | P | • |
| shell type | 27508 - square flange receptacle without thread for back fitting 27497 - square flange receptacle (rear mounting) 27474 - jam nut receptacle 27473 - plug | | | | | | | |
| class | T - with thread for backshell, supplied without backshell E - without thread for backshell only for MS 27508 | | | | | | | |
| shell size | 08-10-12-14-16-18-20-22-24 | | | | | | | |
| plating | B - olive green cadmium | | F - nickel | | C - hard anodized | | | |
| contact layout | - see table p 120 | | | | | | | |
| contact type | P - male | | A - male connector supplied without contact or with special contacts | | | | | |
| | S - female | | B - female connector supplied without contact or with special contacts | | | | | |
| polarization | N - Normal (not included in part number) A-B-C-D - see table p 100 | | | | | | | |

backshells

| | | | | | | | | | | | | | |
|-----------------------|---|-----|-----|-----|-----|-------------------------------|-----|-----|-----|-------------|------------|----------|-----------|
| basic series | | | | | | | | | | 8LST | 104 | G | 01 |
| shell size | 08 | 10 | 12 | 14 | 16 | 18 | 20 | 22 | 24 | | | | |
| index number | 101 | 102 | 103 | 104 | 105 | 106 | 107 | 108 | 109 | | | | |
| plating | B - olive green cadmium (MIL. C 38999) | | | | | | | | | | | | |
| | F - nickel | | | | | | | | | | | | |
| backshell type | 01 - backnut | | | | | 03 - elbow cable clamp | | | | | | | |
| | 02 - straight cable clamp | | | | | | | | | | | | |

Cross reference list - part numbers cross reference list FCI Souriau and MIL-C 38999 NFC 93422 - PAN 6433-1

| | FCI Souriau | MIL-C 38999 Series II | NFC 93422 / HE 309 | PAN 6433-1 |
|---|-------------------|-----------------------|---------------------------|-------------------------|
| Square flange receptacle without thread for back fitting | 8T2 - •• G •• P □ | | HE 309-05T •• - •• P □ 7 | PAN 6433-1E •• - •• P □ |
| | 8T2 - •• G •• A □ | | HE 309-05T •• - •• P □ 7L | |
| | 8T2 - •• G •• S □ | | HE 309-05T •• - •• S □ 7 | PAN 6433-1E •• - •• S □ |
| | 8T2 - •• G •• B □ | | HE 309-05T •• - •• S □ 7L | |
| | 8T2 - •• B •• P □ | MS27508E •• B •• P □ | | |
| | 8T2 - •• B •• A □ | MS27508E •• B •• A □ | | |
| | 8T2 - •• B •• S □ | MS27508E •• B •• S □ | | |
| | 8T2 - •• B •• B □ | MS27508E •• B •• B □ | | |
| | 8T2 - •• F •• P □ | MS27508E •• F •• P □ | HE 309-05T •• - •• P □ 6 | |
| | 8T2 - •• F •• A □ | MS27508E •• F •• A □ | HE 309-05T •• - •• P □ 6L | |
| | 8T2 - •• F •• S □ | MS27508E •• F •• S □ | HE 309-05T •• - •• S □ 6 | |
| | 8T2 - •• F •• B □ | MS27508E •• F •• B □ | HE 309-05T •• - •• S □ 6L | |
| | 8T2 - •• C •• P □ | MS27508E •• C •• P □ | HE 309-05T •• - •• P □ 8 | |
| | 8T2 - •• C •• A □ | MS27508E •• C •• A □ | HE 309-05T •• - •• P □ 8L | |
| | 8T2 - •• C •• S □ | MS27508E •• C •• S □ | HE 309-05T •• - •• S □ 8 | |
| | 8T2 - •• C •• B □ | MS27508E •• C •• B □ | HE 309-05T •• - •• S □ 8L | |
| Square flange receptacle with thread for back fitting | 8T3 - •• G •• P □ | | HE 309-03T •• - •• P □ 7 | PAN 6433-1B •• - •• P □ |
| | 8T3 - •• G •• A □ | | HE 309-03T •• - •• P □ 7L | |
| | 8T3 - •• G •• S □ | | HE 309-03T •• - •• S □ 7 | PAN 6433-1B •• - •• S □ |
| | 8T3 - •• G •• B □ | | HE 309-03T •• - •• S □ 7L | |
| | 8T3 - •• B •• P □ | MS27497T •• B •• P □ | | |
| | 8T3 - •• B •• A □ | MS27497T •• B •• A □ | | |
| | 8T3 - •• B •• S □ | MS27497T •• B •• S □ | | |
| | 8T3 - •• B •• B □ | MS27497T •• B •• B □ | | |
| | 8T3 - •• F •• P □ | MS27497T •• F •• P □ | HE 309-03T •• - •• P □ 6 | |
| | 8T3 - •• F •• A □ | MS27497T •• F •• A □ | HE 309-03T •• - •• P □ 6L | |
| | 8T3 - •• F •• S □ | MS27497T •• F •• S □ | HE 309-03T •• - •• S □ 6 | |
| | 8T3 - •• F •• B □ | MS27497T •• F •• B □ | HE 309-03T •• - •• S □ 6L | |
| | 8T3 - •• C •• P □ | MS27497T •• C •• P □ | HE 309-03T •• - •• P □ 8 | |
| | 8T3 - •• C •• A □ | MS27497T •• C •• A □ | HE 309-03T •• - •• P □ 8L | |
| | 8T3 - •• C •• S □ | MS27497T •• C •• S □ | HE 309-03T •• - •• S □ 8 | |
| | 8T3 - •• C •• B □ | MS27497T •• C •• B □ | HE 309-03T •• - •• S □ 8L | |

8T Series



Cross reference list - FCI Souriau part numbers and MIL-C 38999, NFC 93422 - PAN 6433-1 standard

| | FCI Souriau | MIL-C 38999 Series II | NFC 93422 / HE 309 | PAN 6433-1 |
|---------------------------------|--|--|--|--|
| Jam nut receptacle | 8T7 - ●● G ●● P □ 8T7 - ●● G ●● A □ 8T7 - ●● G ●● S □ 8T7 - ●● G ●● B □ 8T7 - ●● B ●● P □ 8T7 - ●● B ●● A □ 8T7 - ●● B ●● S □ 8T7 - ●● B ●● B □ 8T7 - ●● F ●● P □ 8T7 - ●● F ●● A □ 8T7 - ●● F ●● S □ 8T7 - ●● F ●● B □ 8T7 - ●● C ●● P □ 8T7 - ●● C ●● A □ 8T7 - ●● C ●● S □ 8T7 - ●● C ●● B □ | MS27474T ●● B ●● P □ MS27474T ●● B ●● A □ MS27474T ●● B ●● S □ MS27474T ●● B ●● B □ MS27474T ●● F ●● P □ MS27474T ●● F ●● A □ MS27474T ●● F ●● S □ MS27474T ●● F ●● B □ MS27474T ●● C ●● P □ MS27474T ●● C ●● A □ MS27474T ●● C ●● S □ MS27474T ●● C ●● B □ | HE 309-07T ●● - ●● P □ 7 HE 309-07T ●● - ●● P □ 7L HE 309-07T ●● - ●● S □ 7 HE 309-07T ●● - ●● S □ 7L HE 309-07T ●● - ●● P □ 6 HE 309-07T ●● - ●● P □ 6L HE 309-07T ●● - ●● S □ 6 HE 309-07T ●● - ●● S □ 6L HE 309-07T ●● - ●● P □ 8 HE 309-07T ●● - ●● P □ 8L HE 309-07T ●● - ●● S □ 8 HE 309-07T ●● - ●● S □ 8L | PAN 6433-1A ●● - ●● P □ PAN 6433-1A ●● - ●● S □ |
| Cable connecting receptacle | 8T1 - ●● G ●● P □ 8T1 - ●● G ●● A □ 8T1 - ●● G ●● S □ 8T1 - ●● G ●● B □ 8T1 - ●● B ●● P □ 8T1 - ●● B ●● A □ 8T1 - ●● B ●● S □ 8T1 - ●● B ●● B □ 8T1 - ●● F ●● P □ 8T1 - ●● F ●● A □ 8T1 - ●● F ●● S □ 8T1 - ●● F ●● B □ 8T1 - ●● C ●● P □ 8T1 - ●● C ●● A □ 8T1 - ●● C ●● S □ 8T1 - ●● C ●● B □ | | | |
| Plug without RFI shielding | 8T6 - ●● G ●● P □ 8T6 - ●● G ●● A □ 8T6 - ●● G ●● S □ 8T6 - ●● G ●● B □ 8T6 - ●● B ●● P □ 8T6 - ●● B ●● A □ 8T6 - ●● B ●● S □ 8T6 - ●● B ●● B □ 8T6 - ●● F ●● P □ 8T6 - ●● F ●● A □ 8T6 - ●● F ●● S □ 8T6 - ●● F ●● B □ 8T6 - ●● C ●● P □ 8T6 - ●● C ●● A □ 8T6 - ●● C ●● S □ 8T6 - ●● C ●● B □ | MS27473T ●● B ●● P □ MS27473T ●● B ●● A □ MS27473T ●● B ●● S □ MS27473T ●● B ●● B □ MS27473T ●● F ●● P □ MS27473T ●● F ●● A □ MS27473T ●● F ●● S □ MS27473T ●● F ●● B □ MS27473T ●● C ●● P □ MS27473T ●● C ●● A □ MS27473T ●● C ●● S □ MS27473T ●● C ●● B □ | HE 309-06T ●● - ●● P □ 7 HE 309-06T ●● - ●● P □ 7L HE 309-06T ●● - ●● S □ 7 HE 309-06T ●● - ●● S □ 7L HE 309-06T ●● - ●● P □ 6 HE 309-06T ●● - ●● P □ 6L HE 309-06T ●● - ●● S □ 6 HE 309-06T ●● - ●● S □ 6L HE 309-06T ●● - ●● P □ 8 HE 309-06T ●● - ●● P □ 8L HE 309-06T ●● - ●● S □ 8 HE 309-06T ●● - ●● S □ 8L | PAN 6433-1F ●● - ●● P □ PAN 6433-1F ●● - ●● S □ |
| Contacts - filler plugs - tools | 8599-0902 8599-0903 8599-0904 8599-0905 8599-0910 8599-0911 8599-0912 8599-0913 8660-212 8522-389A 8522-390A 8599-0022 8522-20 8522-16 | M39029/58-360 M39029/58-363 M39029/58-364 M39029/58-365 M39029/57-354 M39029/57-357 M39029/57-358 M39029/57-359 M27488-22 M27488-20 M27488-16 M81969/14-01 M81969/14-02 M81969/14-03 | | PAN 6433-1P PAN 6433-1S PAN 6433-1N |
| Backshells | 8LST ●●● G01 8LST ●●● B01 8LST ●●● F01 | M85049/27 ●● W M85049/27 ●● N | HE 309-17 ●● 7 HE 309-17 ●● 6 | |

8T Series



Polarization

Polarization is determined by the master keyway position. The secondary keyway positions remain fixed.



| shell size | contacts layout | service | | | number of contacts | | | | angle in degrees | | | | |
|------------|-----------------|---------|---|----|--------------------|-------------|---------------|---------------|------------------|----|----|-----|-----|
| | | M | I | II | # 22D Ø 0,76 | # 20 Ø 1 | # 16 Ø 1,6 | # 12 Ø 2,4 | N | A | B | C | D |
| 08 | 35 | X | | | 6 | | | | 100 | 82 | - | - | 118 |
| 10 | 35 | X | | | 13 | | | | 100 | 86 | 72 | 128 | 114 |
| 12 | 35 | X | | | | | | | 100 | 80 | 68 | 132 | 120 |
| 14 | 35 | X | | | 37 | | | | 100 | 79 | 66 | 134 | 121 |
| | 18 | | X | | | 18 | | | 100 | 79 | 66 | 134 | 121 |
| 16 | 35 | X | | | 55 | | | | 100 | 82 | 70 | 130 | 118 |
| | 08 | | | X | | | 8 | | 100 | 82 | 70 | 130 | 118 |
| | 06 | | X | | | | | 6 | 100 | 82 | 70 | 130 | 118 |
| 18 | 35 | X | | | 66 | | | | 100 | 82 | 70 | 130 | 118 |
| 20 | 35 | X | | | 79 | | | | 100 | 82 | 70 | 130 | 118 |
| | 41 | | X | | | 41 | | | 100 | 82 | 70 | 130 | 118 |
| | 16 | | | X | | | 16 | | 100 | 82 | 70 | 130 | 118 |
| | 11 | | | X | | | | 11 | 100 | 82 | 70 | 130 | 118 |
| 22 | 35 | X | | | 100 | | | | 100 | 85 | 74 | 126 | 115 |
| 24 | 35 | X | | | 128 | | | | 100 | 85 | 74 | 126 | 115 |
| | 61 | | X | | | 61 | | | 100 | 85 | 74 | 126 | 115 |
| | 29 | | X | | | | 29 | | 100 | 85 | 74 | 126 | 115 |
| | 24 | | X | | | | 12 | 12 | 100 | 85 | 74 | 126 | 115 |

8T Series



Dimensions

backshells



plug type 6



| shell size | 08 | 10 | 12 | 14 | 16 | 18 | 20 | 22 | 24 |
|------------|--------------|----------------|----------------|----------------|----------------|----------------|----------------|----------------|----------------|
| D 1 | Max .750 | 19.05 .859 | 21.82 1.031 | 26.19 1.156 | 29.36 1.281 | 32.54 1.406 | 35.71 1.531 | 38.89 1.641 | 41.68 1.766 |
| L1 | Max .916 | 23.27 .916 | 23.27 .916 | 23.27 .916 | 23.27 .916 | 23.27 .916 | 23.27 .916 | 23.27 .916 | 25.00 .984 |
| D2 | Max .617 | 15.67 .734 | 18.64 .858 | 21.79 .984 | 24.99 1.112 | 28.24 1.218 | 30.94 1.345 | 34.16 1.468 | 37.29 1.593 |
| D3 | Max .274 | 6.96 .412 | 10.46 .526 | 13.36 .651 | 16.53 .776 | 19.71 .882 | 22.40 1.006 | 25.56 1.132 | 28.75 1.257 |
| L2 | Max .445 | 11.30 .445 | 11.30 .445 | 11.30 .445 | 11.30 .445 | 11.30 .445 | 11.30 .445 | 11.30 .445 | 11.30 .445 |
| L3 | Max .991 | 25.16 .991 | 25.16 .991 | 25.16 .991 | 25.16 .991 | 25.16 .991 | 25.16 .991 | 25.16 .991 | 27.14 1.069 |
| D4 | Max .617 | 15.67 .734 | 18.64 .858 | 21.79 .984 | 24.99 1.112 | 28.24 1.218 | 30.94 1.345 | 34.16 1.468 | 37.29 1.593 |
| D5 | min .055 | 1.40 .055 | 2.40 .094 | 5.60 .220 | 5.60 .220 | 8.80 .346 | 11.90 .469 | 15.10 .594 | 15.10 .594 |
| | Max .126 | 3.20 .189 | 4.80 .252 | 6.40 .374 | 9.50 .500 | 12.70 .626 | 15.90 .752 | 19.10 .874 | 22.20 1.000 |
| F | Max .828 | 21.03 .891 | 22.63 1.016 | 25.81 1.016 | 28.98 1.141 | 30.56 1.203 | 37.31 1.469 | 37.31 1.469 | 42.06 1.656 |
| L4 | Max .875 | 22.22 .875 | 22.22 .875 | 22.22 .875 | 28.57 1.125 | 28.57 1.125 | 28.57 1.125 | 28.57 1.125 | 31.75 1.250 |
| L5 | Max 1.624 | 41.26 1.624 | 41.26 1.624 | 41.26 1.624 | 47.16 1.857 | 47.16 1.857 | 47.16 1.857 | 47.16 1.857 | 50.76 1.998 |
| D6 | Max .617 | 15.67 .734 | 18.64 .858 | 21.79 .984 | 24.99 1.112 | 28.24 1.218 | 30.94 1.345 | 34.16 1.468 | 37.29 1.593 |
| D7 | min .126 | 3.20 .157 | 4.00 .189 | 4.80 .217 | 5.50 .217 | 6.40 .252 | 7.90 .311 | 9.50 .374 | 10.30 .406 |
| | Max .252 | 6.40 .374 | 9.50 .437 | 11.10 .563 | 14.30 .563 | 15.90 .626 | 19.10 .752 | 22.20 .874 | 23.80 1.000 |
| L6 | Max 1.391 | 35.32 1.391 | 35.32 1.391 | 37.30 1.469 | 41.67 1.641 | 46.04 1.813 | 46.45 1.829 | 48.43 1.907 | 51.98 2.046 |
| L7 | Max 1.000 | 25.40 1.031 | 26.19 1.031 | 27.79 1.094 | 30.96 1.219 | 32.54 1.281 | 34.14 1.344 | 34.93 1.375 | 34.53 1.359 |
| L8 | Max 1.922 | 48.82 1.922 | 48.82 1.922 | 50.80 2.000 | 55.17 2.172 | 59.54 2.344 | 59.95 2.360 | 61.93 2.438 | 65.48 2.578 |
| | | | | | | | | | 70.26 2.766 |

8T Series



backshells

backnut type 01



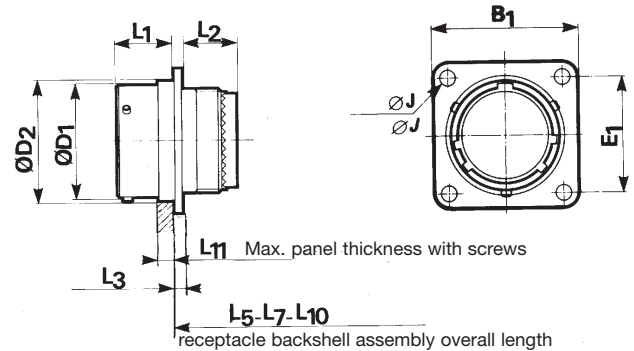
straight cable clamp type 02



elbow cable clamp type 03



receptacle type 3



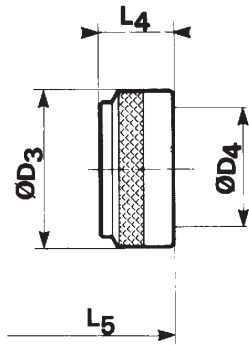
| shell size | | 08 | 10 | 12 | 14 | 16 | 18 | 20 | 22 | 24 |
|------------|-----|----------------|----------------|----------------|----------------|----------------|----------------|----------------|----------------|----------------|
| B1 | Max | 21.03 .828 | 24.23 .954 | 26.59 1.047 | 28.98 1.141 | 31.34 1.234 | 33.73 1.328 | 36.91 1.453 | 40.08 1.578 | 43.26 1.703 |
| | E1 | 15.09 .594 | 18.26 .719 | 20.62 .812 | 23.01 .906 | 24.61 .969 | 26.97 1.062 | 29.36 1.156 | 31.75 1.250 | 34.93 1.375 |
| D1 | Max | 12.04 .474 | 15.02 .591 | 19.08 .751 | 22.25 .876 | 25.43 1.001 | 28.61 1.126 | 31.78 1.251 | 34.95 1.376 | 38.13 1.501 |
| | D2 | Max | 13.89 .547 | 17.07 .672 | 21.44 .844 | 24.61 .969 | 27.79 1.094 | 30.96 1.219 | 34.14 1.344 | 37.31 1.469 |
| L1 | Max | 11.35 .447 | 11.35 .447 | 11.35 .447 | 11.35 .447 | 11.35 .447 | 11.35 .447 | 11.35 .447 | 11.35 .447 | 11.35 .447 |
| | L2 | Max | 12.27 .483 | 12.27 .483 | 12.27 .483 | 12.27 .483 | 12.27 .483 | 12.27 .483 | 12.27 .483 | 12.27 .483 |
| L3 | Max | 1.75 .069 | 1.75 .069 | 1.75 .069 | 1.75 .069 | 1.75 .069 | 1.75 .069 | 1.75 .069 | 1.75 .069 | 1.75 .069 |
| | J | Max | 3.30 .130 | 3.30 .130 | 3.30 .130 | 3.30 .130 | 3.30 .130 | 3.30 .130 | 3.30 .130 | 3.30 .130 |
| D3 | Max | 15.67 .617 | 18.64 .734 | 21.79 .858 | 24.99 .984 | 28.24 1.112 | 30.94 1.218 | 34.16 1.345 | 37.29 1.468 | 40.46 1.593 |
| | D4 | Max | 6.96 .274 | 10.46 .412 | 13.36 .526 | 16.53 .651 | 19.71 .776 | 22.40 .882 | 25.56 1.006 | 28.75 1.132 |
| L4 | Max | 11.30 .445 | 11.30 .445 | 11.30 .445 | 11.30 .445 | 11.30 .445 | 11.30 .445 | 11.30 .445 | 11.30 .445 | 11.30 .445 |
| | L5 | Max | 15.63 .615 | 15.63 .615 | 15.63 .615 | 15.63 .615 | 15.63 .615 | 15.63 .615 | 15.63 .615 | 15.63 .615 |
| D5 | Max | 15.67 .617 | 18.64 .734 | 21.79 .858 | 24.99 .984 | 28.24 1.112 | 30.94 1.218 | 34.16 1.345 | 37.29 1.468 | 40.46 1.593 |
| | min | 1.40 .055 | 1.40 .055 | 2.40 .094 | 5.60 .220 | 5.60 .220 | 8.80 .346 | 11.90 .469 | 15.10 .594 | 15.10 .594 |
| D6 | Max | 3.20 .126 | 4.80 .189 | 6.40 .252 | 9.50 .374 | 12.70 .500 | 15.90 .626 | 19.10 .752 | 22.20 .878 | 25.40 1.000 |
| | F | Max | 21.03 .828 | 22.63 .891 | 25.81 1.016 | 28.98 1.141 | 30.56 1.203 | 37.31 1.469 | 37.31 1.469 | 42.06 1.656 |
| L6 | Max | 22.22 .875 | 22.22 .875 | 22.22 .875 | 28.57 1.125 | 28.57 1.125 | 28.57 1.125 | 28.57 1.125 | 31.75 1.250 | 31.75 1.250 |
| | L7 | Max | 31.73 1.249 | 31.73 1.249 | 31.73 1.249 | 37.68 1.483 | 37.68 1.483 | 37.68 1.483 | 37.68 1.483 | 41.23 1.623 |
| D7 | Max | 15.67 .617 | 18.64 .734 | 21.79 .858 | 24.99 .984 | 28.24 1.112 | 30.94 1.218 | 34.16 1.345 | 37.29 1.468 | 40.46 1.593 |
| | min | 3.20 .126 | 4.00 .157 | 4.80 .189 | 5.50 .217 | 6.40 .252 | 7.90 .311 | 9.50 .374 | 10.30 .406 | 14.30 .563 |
| D8 | Max | 6.40 .252 | 9.50 .374 | 11.10 .437 | 14.30 .563 | 15.90 .626 | 19.10 .752 | 22.20 .878 | 23.80 .937 | 25.40 1.000 |
| | L8 | Max | 35.32 1.391 | 35.32 1.391 | 37.30 1.469 | 41.67 1.641 | 46.04 1.813 | 46.45 1.829 | 48.43 1.907 | 51.98 2.046 |
| L9 | Max | 25.40 1.000 | 26.19 1.031 | 27.79 1.094 | 30.96 1.219 | 32.54 1.281 | 34.14 1.344 | 34.93 1.375 | 36.53 1.438 | 43.66 1.719 |
| | L10 | Max | 39.29 1.547 | 39.29 1.547 | 42.27 1.664 | 45.64 1.797 | 50.01 1.969 | 50.42 1.985 | 52.40 2.063 | 55.95 2.203 |
| L11 | Max | 3.71 .146 | 3.71 .146 | 3.71 .146 | 3.71 .146 | 3.71 .146 | 3.71 .146 | 4.27 .168 | 4.27 .168 | 4.27 .168 |

8T Series

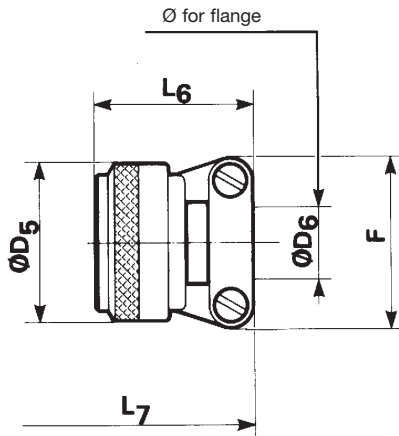


Backshells

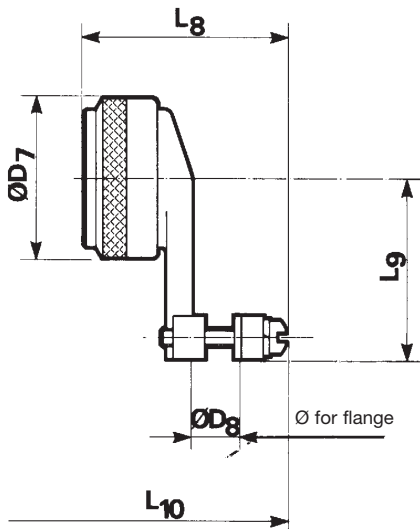
backnut type 01



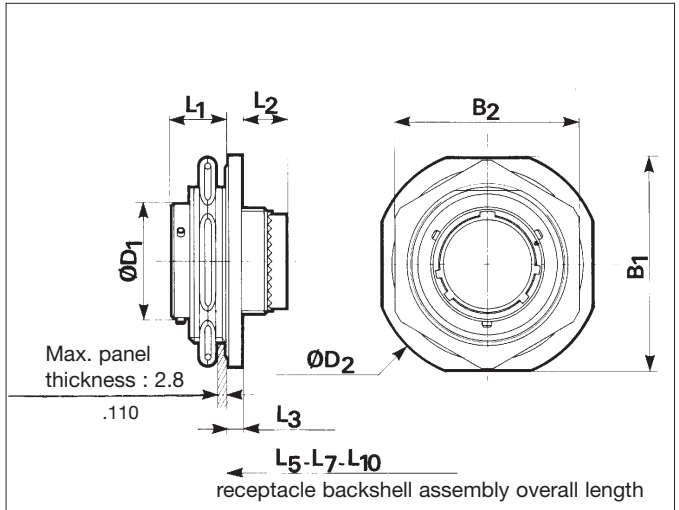
straight cable clamp type 02



elbow cable clamp type 03



Receptacle type 7



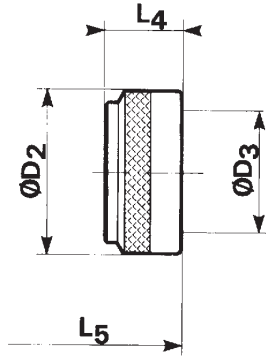
| shell size | | 08 | 10 | 12 | 14 | 16 | 18 | 20 | 22 | 24 |
|------------|-----|-------|-------|-------|-------|-------|-------|-------|-------|-------|
| B1 | Max | 32.16 | 35.34 | 38.51 | 41.69 | 45.65 | 48.42 | 51.62 | 54.77 | 57.94 |
| | | 1.266 | 1.391 | 1.516 | 1.641 | 1.797 | 1.906 | 2.032 | 2.156 | 2.281 |
| B2 | Max | 27.40 | 30.61 | 33.75 | 36.96 | 40.10 | 43.31 | 46.45 | 51.23 | 54.41 |
| | | 1.079 | 1.205 | 1.329 | 1.455 | 1.579 | 1.705 | 1.829 | 2.017 | 2.142 |
| D1 | Max | 12.04 | 15.02 | 19.08 | 22.25 | 25.43 | 28.61 | 31.78 | 34.95 | 38.13 |
| | | .474 | .591 | .751 | .876 | 1.001 | 1.126 | 1.251 | 1.376 | 1.501 |
| D2 | Max | 35.34 | 38.51 | 41.69 | 44.86 | 49.64 | 51.62 | 54.79 | 57.94 | 61.12 |
| | | 1.391 | 1.516 | 1.641 | 1.766 | 1.954 | 2.032 | 2.157 | 2.281 | 2.406 |
| L1 | Max | 11.26 | 11.26 | 11.26 | 11.26 | 11.26 | 11.26 | 11.92 | 11.92 | 11.92 |
| | | .443 | .443 | .443 | .443 | .443 | .443 | .469 | .469 | .469 |
| L2 | Max | 12.55 | 12.55 | 12.55 | 12.55 | 12.55 | 12.55 | 11.73 | 11.73 | 13.08 |
| | | .494 | .494 | .494 | .494 | .494 | .494 | .462 | .462 | .515 |
| L3 | Max | 2.67 | 2.67 | 2.67 | 2.67 | 2.67 | 2.67 | 2.67 | 2.67 | 2.67 |
| | | .105 | .105 | .105 | .105 | .105 | .105 | .105 | .105 | .105 |
| D3 | Max | 15.67 | 18.64 | 21.79 | 24.99 | 28.24 | 30.94 | 34.16 | 37.29 | 40.46 |
| | | .617 | .734 | .858 | .984 | 1.112 | 1.218 | 1.345 | 1.468 | 1.593 |
| D4 | Max | 6.96 | 10.46 | 13.36 | 16.53 | 19.71 | 22.40 | 25.56 | 28.75 | 31.93 |
| | | .274 | .412 | .526 | .651 | .776 | .882 | 1.006 | 1.132 | 1.257 |
| L4 | Max | 11.30 | 11.30 | 11.30 | 11.30 | 11.30 | 11.30 | 11.30 | 11.30 | 11.30 |
| | | .445 | .445 | .445 | .445 | .445 | .445 | .445 | .445 | .445 |
| L5 | Max | 14.44 | 14.44 | 14.44 | 14.44 | 14.44 | 14.44 | 13.62 | 13.62 | 15.22 |
| | | .569 | .569 | .569 | .569 | .569 | .569 | .536 | .536 | .592 |
| D5 | Max | 15.67 | 18.64 | 21.79 | 24.99 | 28.24 | 30.94 | 34.16 | 37.29 | 40.46 |
| | | .617 | .734 | .858 | .984 | 1.112 | 1.218 | 1.345 | 1.468 | 1.593 |
| D6 | min | 1.40 | 1.40 | 2.40 | 5.60 | 5.60 | 8.80 | 11.90 | 15.10 | 15.10 |
| | | .055 | .055 | .094 | .220 | .220 | .346 | .469 | .594 | .594 |
| D6 | Max | 3.20 | 4.80 | 6.40 | 9.50 | 12.70 | 15.90 | 19.10 | 22.20 | 25.40 |
| | | .126 | .189 | .252 | .374 | .500 | .626 | .752 | .874 | 1.000 |
| F | Max | 21.03 | 22.63 | 25.81 | 28.98 | 30.56 | 37.31 | 37.31 | 42.06 | 44.45 |
| | | .828 | .891 | 1.016 | 1.141 | 1.203 | 1.469 | 1.469 | 1.656 | 1.750 |
| L6 | Max | 22.22 | 22.22 | 22.22 | 28.57 | 28.57 | 28.57 | 28.57 | 31.75 | 31.75 |
| | | .875 | .875 | .875 | 1.125 | 1.125 | 1.125 | 1.125 | 1.250 | 1.250 |
| L7 | Max | 30.54 | 30.54 | 30.54 | 36.44 | 36.44 | 36.44 | 35.62 | 39.22 | 38.82 |
| | | 1.202 | 1.202 | 1.202 | 1.435 | 1.435 | 1.435 | 1.402 | 1.544 | 1.528 |
| D7 | Max | 15.67 | 18.64 | 21.79 | 24.99 | 28.24 | 30.94 | 34.16 | 37.29 | 40.46 |
| | | .617 | .734 | .858 | .984 | 1.112 | 1.218 | 1.345 | 1.468 | 1.593 |
| D8 | min | 3.20 | 4.00 | 4.80 | 5.50 | 6.40 | 7.90 | 9.50 | 10.30 | 14.30 |
| | | .126 | .157 | .189 | .217 | .252 | .311 | .374 | .406 | .563 |
| D8 | Max | 6.40 | 9.50 | 11.10 | 14.30 | 15.90 | 19.10 | 22.20 | 23.80 | 25.40 |
| | | .252 | .374 | .437 | .563 | .626 | .752 | .874 | .937 | 1.000 |
| L8 | Max | 35.32 | 35.32 | 37.30 | 41.67 | 46.04 | 46.45 | 48.43 | 51.98 | 54.78 |
| | | 1.391 | 1.391 | 1.469 | 1.641 | 1.813 | 1.829 | 1.907 | 2.046 | 2.157 |
| L9 | Max | 25.40 | 26.19 | 27.79 | 30.96 | 32.54 | 34.14 | 34.93 | 36.53 | 43.66 |
| | | 1.000 | 1.031 | 1.094 | 1.219 | 1.281 | 1.344 | 1.375 | 1.438 | 1.719 |
| L10 | Max | 38.10 | 38.10 | 40.08 | 44.45 | 48.82 | 49.23 | 50.39 | 53.94 | 58.34 |
| | | 1.500 | 1.500 | 1.578 | 1.750 | 1.922 | 1.938 | 1.984 | 2.124 | 2.297 |

8T Series

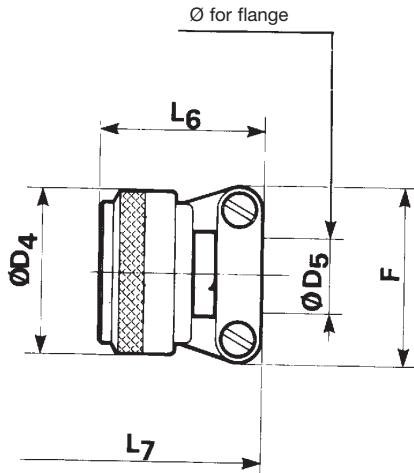


Backshells

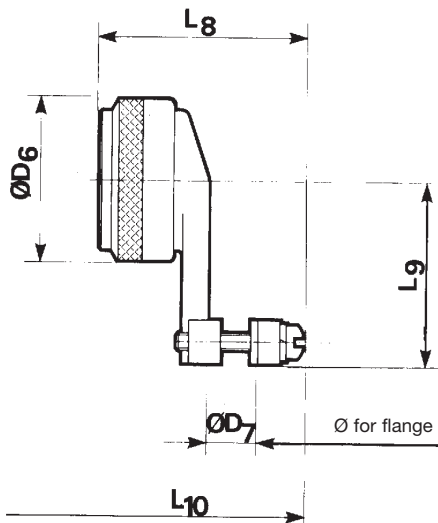
backnut type 01



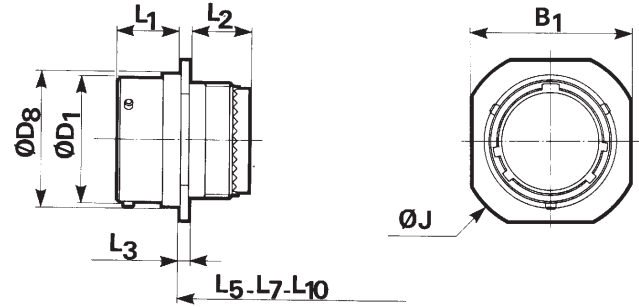
straight cable clamp type 02



elbow cable clamp type 03



Cable connecting receptacle type 1



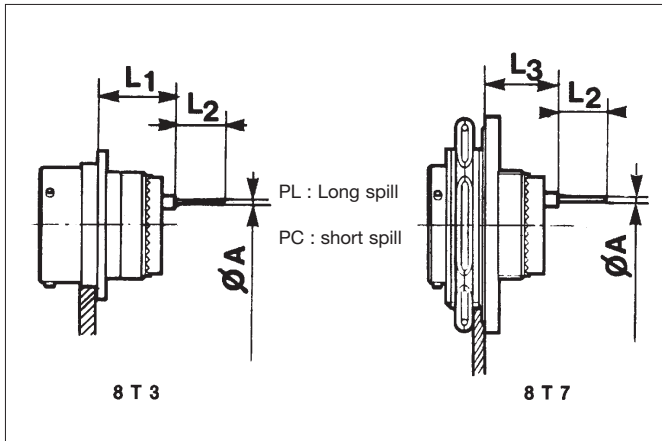
cable connecting receptacle backshell assembly overall length

| shell size | | 08 | 10 | 12 | 14 | 16 | 18 | 20 | 22 | 24 |
|------------|-----|----------------|----------------|----------------|----------------|----------------|----------------|----------------|----------------|----------------|
| B1 | Max | 14.62 .576 | 18.92 .745 | 22.22 .875 | 25.62 .969 | 27.82 1.009 | 31.35 1.095 | 34.62 1.234 | 38.02 1.363 | 42.02 1.654 |
| | D1 | Max | 12.04 .474 | 15.02 .591 | 19.08 .751 | 22.25 .876 | 25.43 1.001 | 28.61 1.126 | 31.78 1.251 | 34.95 1.376 |
| D8 | Max | 13.89 .547 | 17.07 .672 | 21.44 .844 | 24.61 .969 | 27.79 1.094 | 30.96 1.219 | 34.14 1.344 | 37.31 1.469 | 40.49 1.594 |
| | J | Max | 24.51 .965 | 27.60 1.087 | 30.04 1.183 | 32.43 1.277 | 34.82 1.371 | 37.21 1.465 | 40.36 1.589 | 43.56 1.715 |
| L1 | Max | 11.35 .447 | 11.35 .447 | 11.35 .447 | 11.35 .447 | 11.35 .447 | 11.35 .447 | 11.35 .447 | 11.35 .447 | 11.35 .447 |
| | L2 | Max | 12.27 .483 | 12.27 .483 | 12.27 .483 | 12.27 .483 | 12.27 .483 | 12.27 .483 | 12.27 .483 | 12.27 .483 |
| L3 | Max | 1.75 .069 | 1.75 .069 | 1.75 .069 | 1.75 .069 | 1.75 .069 | 1.75 .069 | 1.75 .069 | 1.75 .069 | 1.75 .069 |
| | D2 | Max | 15.67 .617 | 18.64 .734 | 21.79 .858 | 24.99 .984 | 28.24 1.112 | 30.94 1.218 | 34.16 1.345 | 37.29 1.468 |
| D3 | Max | 6.96 .274 | 10.46 .412 | 13.36 .526 | 16.53 .651 | 19.71 .776 | 22.40 .882 | 25.56 1.006 | 28.75 1.132 | 31.93 1.257 |
| | L4 | Max | 11.30 .445 | 11.30 .445 | 11.30 .445 | 11.30 .445 | 11.30 .445 | 11.30 .445 | 11.30 .445 | 11.30 .445 |
| L5 | Max | 15.63 .615 | 15.63 .615 | 15.63 .615 | 15.63 .615 | 15.63 .615 | 15.63 .615 | 15.63 .615 | 15.63 .615 | 17.61 .693 |
| | D4 | Max | 15.67 .617 | 18.64 .734 | 21.79 .858 | 24.99 .984 | 28.24 1.112 | 30.94 1.218 | 34.16 1.345 | 37.29 1.468 |
| D5 | min | 1.40 .055 | 1.40 .055 | 2.40 .094 | 5.60 .220 | 5.60 .220 | 8.80 .346 | 11.90 .469 | 15.10 .594 | 15.10 .594 |
| | Max | 3.20 .126 | 4.80 .189 | 6.40 .252 | 9.50 .374 | 12.70 .500 | 15.90 .626 | 19.10 .752 | 22.20 .874 | 25.40 1.000 |
| F | Max | 21.03 .828 | 22.63 .891 | 25.81 1.016 | 28.98 1.141 | 30.56 1.203 | 37.31 1.469 | 37.31 1.469 | 42.06 1.656 | 44.45 1.750 |
| | L6 | Max | 22.22 .875 | 22.22 .875 | 22.22 .875 | 28.57 1.125 | 28.57 1.125 | 28.57 1.125 | 28.57 1.125 | 31.75 1.250 |
| L7 | Max | 31.73 1.249 | 31.73 1.249 | 31.73 1.249 | 37.68 1.483 | 37.68 1.483 | 37.68 1.483 | 37.68 1.483 | 41.23 1.623 | 41.21 1.622 |
| | D6 | Max | 15.67 .617 | 18.64 .734 | 21.79 .858 | 24.99 .984 | 28.24 1.112 | 30.94 1.218 | 34.16 1.345 | 37.29 1.468 |
| D7 | min | 3.20 .126 | 4.00 .157 | 4.80 .189 | 5.50 .217 | 6.40 .252 | 7.90 .311 | 9.50 .374 | 10.30 .406 | 14.30 .563 |
| | Max | 6.40 .252 | 9.50 .374 | 11.10 .437 | 14.30 .563 | 15.90 .626 | 19.10 .752 | 22.20 .874 | 23.80 .937 | 25.40 1.000 |
| L8 | Max | 35.32 1.391 | 35.32 1.391 | 37.30 1.469 | 41.67 1.641 | 46.04 1.813 | 46.45 1.829 | 48.43 1.907 | 51.98 2.046 | 54.78 2.157 |
| | L9 | Max | 25.40 1.000 | 26.19 1.031 | 27.79 1.094 | 30.96 1.219 | 32.54 1.281 | 34.14 1.344 | 34.93 1.375 | 36.53 1.438 |
| L10 | Max | 39.29 1.547 | 39.29 1.547 | 42.27 1.664 | 45.64 1.797 | 50.01 1.969 | 50.42 1.985 | 52.40 2.063 | 55.95 2.203 | 60.73 2.391 |

8T Series



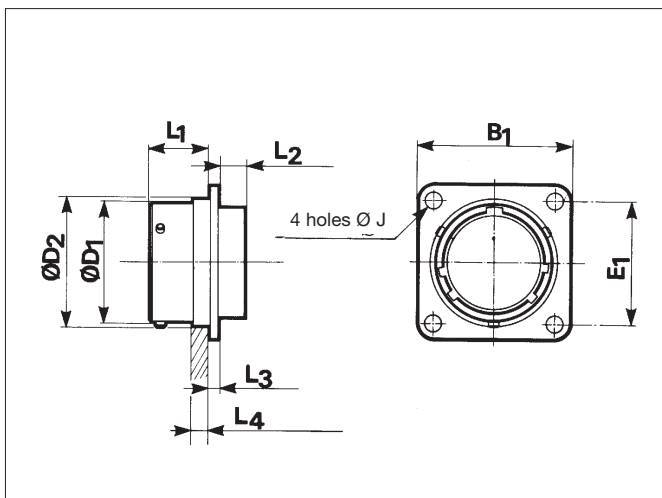
Contacts



| Contact size | Contact type | Part numbers |
|--------------|-------------------|--------------|
| 22D | long spill male | 8599-0720 |
| | long spill female | 8599-7707 |
| | short spill male | 8599-0730 |
| 20 | short spill male | 8599-0724 |
| 16 | short spill male | 8599-0726 |

| shell size | | 08 | 10 | 12 | 14 | 16 | 18 | 20 | 22 | 24 |
|------------|---------------------|---------------|---------------|---------------|---------------|---------------|---------------|---------------|---------------|---------------|
| A | #22D/#20 | 0.70 .028 | 0.70 .028 | 0.70 .028 | 0.70 .028 | 0.70 .028 | 0.70 .028 | 0.70 .028 | 0.70 .028 | 0.70 .028 |
| | #16 | 1.15 .045 | 1.15 .045 | 1.15 .045 | 1.15 .045 | 1.15 .045 | 1.15 .045 | 1.15 .045 | 1.15 .045 | 1.15 .045 |
| L1 | male #22D PC/PL | 13.40 .528 | 13.40 .528 | 13.40 .528 | 13.40 .528 | 13.40 .528 | 13.40 .528 | 13.40 .528 | 13.40 .528 | 13.40 .528 |
| | female #22D PL | 13.40 .528 | 13.40 .528 | 13.40 .528 | 13.40 .528 | 13.40 .528 | 13.40 .528 | 13.40 .528 | 13.40 .528 | 13.40 .528 |
| | male #20PC ; #16 PC | 13.57 .534 | 13.57 .534 | 13.57 .534 | 13.57 .534 | 13.57 .534 | 13.57 .534 | 13.57 .534 | 13.57 .534 | 13.57 .534 |
| L2 | PL #22D | 8.50 .335 | 8.50 .335 | 8.50 .335 | 8.50 .335 | 8.50 .335 | 8.50 .335 | 8.50 .335 | 8.50 .335 | 8.50 .335 |
| | PC #22D | 4.00 .157 | 4.00 .157 | 4.00 .157 | 4.00 .157 | 4.00 .157 | 4.00 .157 | 4.00 .157 | 4.00 .157 | 4.00 .157 |
| | PC #20 / PC #16 | 5.10 .201 | 5.10 .201 | 5.10 .201 | 5.10 .201 | 5.10 .201 | 5.10 .201 | 5.10 .201 | 5.10 .201 | 5.10 .201 |
| L3 | male #22D PC/PL | 13.61 .536 | 13.61 .536 | 13.61 .536 | 13.61 .536 | 13.61 .536 | 13.61 .536 | 12.95 .510 | 12.95 .510 | 12.95 .510 |
| | female #22D PL | 13.61 .536 | 13.61 .536 | 13.61 .536 | 13.61 .536 | 13.61 .536 | 13.61 .536 | 12.95 .510 | 12.95 .510 | 12.95 .510 |
| | male #20 PC ; 16 PC | 13.78 .543 | 13.78 .543 | 13.78 .543 | 13.78 .543 | 13.78 .543 | 13.78 .543 | 13.12 .517 | 13.12 .517 | 13.12 .517 |

Receptacle type 2



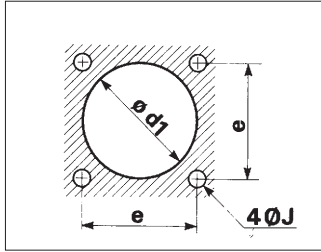
| shell size | | 08 | 10 | 12 | 14 | 16 | 18 | 20 | 22 | 24 |
|------------|-----|---------------|---------------|----------------|----------------|----------------|----------------|----------------|----------------|----------------|
| B1 | Max | 21.03 .828 | 24.24 .954 | 26.72 1.052 | 29.01 1.142 | 31.37 1.235 | 33.73 1.328 | 36.91 1.453 | 40.08 1.578 | 43.26 1.70 |
| E1 | | 15.10 .594 | 18.26 .719 | 20.62 .812 | 23.01 .906 | 24.61 .969 | 26.97 1.062 | 29.36 1.156 | 31.75 1.250 | 34.93 1.375 |
| D1 | Max | 12.01 .473 | 15.00 .591 | 19.06 .750 | 22.23 .875 | 25.41 1.000 | 28.61 1.126 | 31.78 1.251 | 34.95 1.376 | 38.13 1.501 |
| D2 | Max | 13.24 .521 | 16.19 .637 | 20.48 .806 | 23.70 .933 | 26.83 1.056 | 30.96 1.219 | 34.14 1.344 | 37.31 1.469 | 40.49 1.594 |
| J | Max | 3.30 .130 | 3.30 .130 | 3.30 .130 | 3.30 .130 | 3.30 .130 | 3.30 .130 | 3.30 .130 | 3.30 .130 | 3.99 .157 |
| L1 | Max | 11.35 .447 | 11.35 .447 | 11.35 .447 | 11.35 .447 | 11.35 .447 | 11.35 .447 | 11.35 .447 | 11.35 .447 | 11.35 .447 |
| L2 | Max | 4.77 .188 | 4.77 .188 | 4.77 .188 | 4.77 .188 | 4.77 .188 | 4.77 .188 | 4.77 .188 | 4.77 .188 | 4.77 .188 |
| L3 | Max | 1.75 .069 | 1.75 .069 | 1.75 .069 | 1.75 .069 | 1.75 .069 | 1.75 .069 | 1.75 .069 | 1.75 .069 | 1.75 .069 |
| L4 | Max | 3.71 .146 | 3.71 .146 | 3.71 .146 | 3.71 .146 | 3.71 .146 | 3.71 .146 | 4.27 .168 | 4.27 .168 | 4.27 .168 |

8T Series

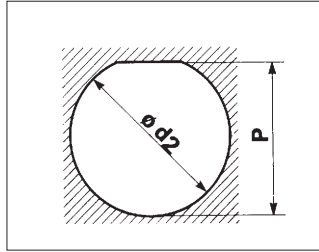


Panel cut-out

square flange receptacle

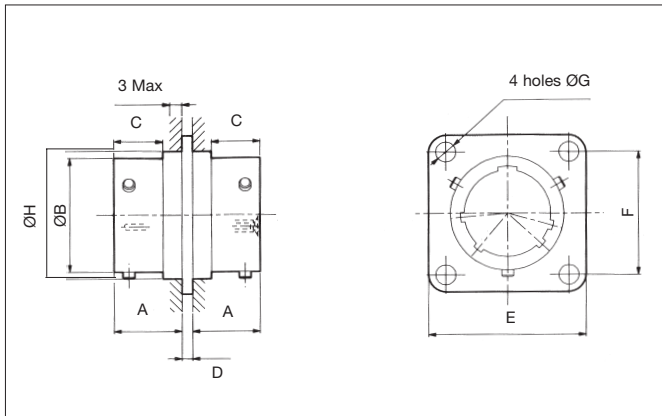


jam nut receptacle



| shell size | 08 | 10 | 12 | 14 | 16 | 18 | 20 | 22 | 24 |
|------------|---------------|----------------|----------------|----------------|----------------|----------------|----------------|----------------|----------------|
| d1 min | 14.15 .557 | 17.32 .682 | 21.69 .854 | 24.87 .979 | 28.04 1.104 | 31.22 1.229 | 34.39 1.354 | 37.57 1.479 | 40.74 1.604 |
| d2 | 22.46 .884 | 25.58 1.007 | 28.80 1.134 | 31.98 1.259 | 35.15 1.384 | 38.28 1.507 | 41.50 1.634 | 44.68 1.759 | 47.85 1.884 |
| J | 3.25 .128 | 3.25 .128 | 3.25 .128 | 3.25 .128 | 3.25 .128 | 3.25 .128 | 3.25 .128 | 3.25 .128 | 3.91 .154 |
| e | 15.09 .594 | 18.26 .719 | 20.62 .812 | 23.01 .906 | 24.61 .969 | 26.97 1.062 | 29.36 1.156 | 31.75 1.250 | 34.93 1.375 |
| P | 21.08 .830 | 24.26 .955 | 27.53 1.084 | 30.68 1.208 | 33.86 1.333 | 37.06 1.459 | 40.03 1.576 | 43.21 1.701 | 46.38 1.826 |

Through bulkhead receptacle



| shell size | A Max | B Max | C Max | D Max | E Max | F | G Max | H Max |
|------------|---------------|----------------|--------------|--------------|----------------|----------------|--------------|----------------|
| 08 | 11.35 .447 | 12.04 .474 | 8.18 .322 | 1.75 .069 | 21.03 .828 | 15.09 .594 | 3.30 .130 | 13.89 .547 |
| 10 | 11.35 .447 | 15.02 .591 | 8.18 .322 | 1.75 .069 | 24.23 .954 | 18.26 .719 | 3.30 .130 | 17.07 .672 |
| 12 | 11.35 .447 | 19.08 .751 | 8.18 .322 | 1.75 .069 | 26.59 1.047 | 20.62 .812 | 3.30 .130 | 21.44 .844 |
| 14 | 11.35 .447 | 22.25 .876 | 8.18 .322 | 1.75 .069 | 28.98 1.141 | 23.01 .906 | 3.30 .130 | 24.61 .969 |
| 16 | 11.35 .447 | 25.43 1.001 | 8.18 .322 | 1.75 .069 | 31.34 1.234 | 24.61 .969 | 3.30 .130 | 27.79 1.094 |
| 18 | 11.35 .447 | 28.61 1.126 | 8.18 .322 | 1.75 .069 | 33.73 1.328 | 26.97 1.062 | 3.30 .130 | 30.96 1.219 |
| 20 | 11.35 .447 | 31.78 1.251 | 8.18 .322 | 1.75 .069 | 36.91 1.453 | 29.36 1.156 | 3.30 .130 | 34.14 1.344 |
| 22 | 11.35 .447 | 34.95 1.376 | 8.18 .322 | 1.75 .069 | 40.08 1.578 | 31.75 1.250 | 3.30 .130 | 37.31 1.469 |
| 24 | 11.35 .447 | 38.13 1.501 | 8.18 .322 | 1.75 .069 | 43.26 1.703 | 34.92 1.375 | 3.98 .157 | 40.49 1.594 |

Ordering information

| | | | | | | | | |
|----------------|---|----|---|----|----|----|---|---|
| basic series | SN1738 | 04 | T | •• | •• | PS | N | 7 |
| shell type | 04 - through bulkhead receptacle | | | | | | | |
| class | T - sealed | | | | | | | |
| shell size | 08-10-12-14-16-18-20-22-24 | | | | | | | |
| contact layout | - see standard layout for 8T Series p 120 | | | | | | | |
| contact type | PS - male/female contact | | | | | | | |
| polarization | N - normal | | | | | | | |
| plating | 7 - olive green cadmium | | | | | | | |

Accessories

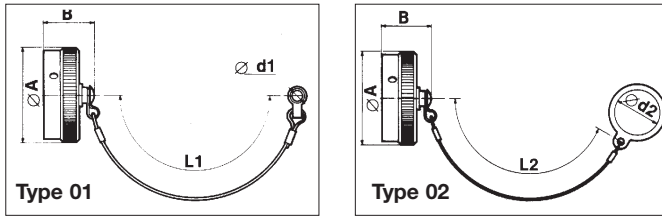
protective caps

| | | | | | | | |
|--------------|--|---|----|---|----|---|----|
| basic series | | | 8T | E | 01 | G | 14 |
| cap type | E - cap for receptacle F - cap for plug | | | | | | |
| fixing type | cap for receptacle 01 - plastic sleeved metal cord with eyelet 02 - plastic sleeved metal cord with ring | cap for plug 01 - plastic sleeved metal cord with eyelet | | | | | |
| plating | B - olive green cadmium (MIL-C 38999) F - nickel | | | | | | |
| shell size | 08-10-12-14-16-18-20-22-24 | | | | | | |

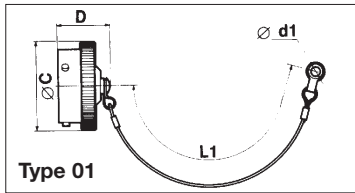
8T Series



Protective caps for receptacles

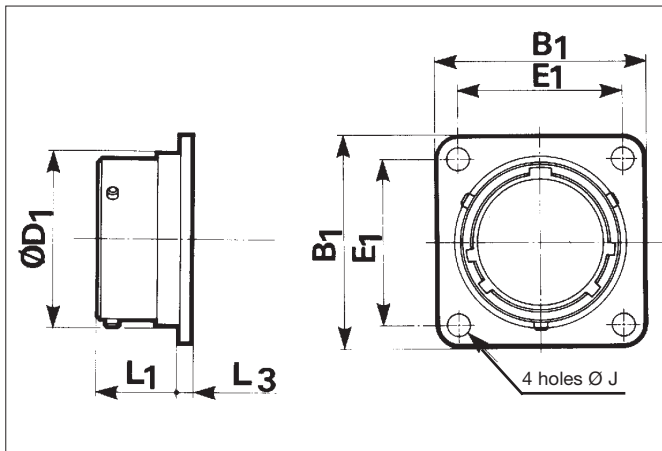


Protective caps for plugs



| shell size | A Max | B Max | C Max | D Max | d1 min | d2 min | L1 | L2 |
|------------|----------------|---------------|----------------|---------------|--------------|----------------|-----------------|-----------------|
| 08 | 19.05 .750 | 20.83 .820 | 18.29 .720 | 20.83 .820 | 3.12 .123 | 22.61 .890 | 76.20 3.000 | 76.20 3.000 |
| 10 | 21.82 .859 | 20.83 .820 | 21.59 .850 | 20.83 .820 | 3.12 .123 | 25.65 1.010 | 76.20 3.000 | 76.20 3.000 |
| 12 | 26.19 1.031 | 20.83 .820 | 25.40 1.000 | 20.83 .820 | 3.12 .123 | 28.96 1.140 | 88.90 3.500 | 88.90 3.500 |
| 14 | 29.36 1.156 | 20.83 .820 | 28.70 1.130 | 20.83 .820 | 3.12 .123 | 32.00 1.260 | 88.90 3.500 | 88.90 3.500 |
| 16 | 32.54 1.281 | 20.83 .820 | 31.75 1.250 | 20.83 .820 | 3.12 .123 | 35.31 1.390 | 88.90 3.500 | 88.90 3.500 |
| 18 | 35.71 1.406 | 20.83 .820 | 35.05 1.380 | 20.83 .820 | 3.12 .123 | 38.35 1.510 | 88.90 3.500 | 88.90 3.500 |
| 20 | 38.89 1.531 | 20.83 .820 | 38.10 1.500 | 20.83 .820 | 3.12 .123 | 41.66 1.640 | 101.60 4.000 | 101.60 4.000 |
| 22 | 41.68 1.641 | 20.83 .820 | 41.40 1.630 | 20.83 .820 | 3.12 .123 | 44.70 1.760 | 101.60 4.000 | 101.60 4.000 |
| 24 | 44.86 1.766 | 20.83 .820 | 44.45 1.750 | 20.83 .820 | 3.53 .139 | 48.01 1.890 | 101.60 4.000 | 101.60 4.000 |

Dummy receptacle



| shell size | part number | L1 Max | L3 Max | D1 Max | B1 Max | E1 | J |
|------------|-------------|---------------|--------------|----------------|----------------|----------------|--------------|
| 08 | 8T3-08•UR | 11.35 .447 | 1.75 .069 | 12.04 .474 | 21.03 .828 | 15.09 .594 | 3.30 .130 |
| 10 | 8T3-10•UR | 11.35 .447 | 1.75 .069 | 15.02 .591 | 24.23 .954 | 18.26 .719 | 3.30 .130 |
| 12 | 8T3-12•UR | 11.35 .447 | 1.75 .069 | 19.08 .751 | 26.59 1.047 | 20.62 .812 | 3.30 .130 |
| 14 | 8T3-14•UR | 11.35 .447 | 1.75 .069 | 22.25 .876 | 28.98 1.141 | 23.01 .906 | 3.30 .130 |
| 16 | 8T3-16•UR | 11.35 .447 | 1.75 .069 | 25.43 1.001 | 31.34 1.234 | 24.61 .969 | 3.30 .130 |
| 18 | 8T3-18•UR | 11.35 .447 | 1.75 .069 | 28.61 1.126 | 33.73 1.328 | 26.97 1.062 | 3.30 .130 |
| 20 | 8T3-20•UR | 11.35 .447 | 1.75 .069 | 31.78 1.251 | 36.91 1.453 | 29.36 1.156 | 3.30 .130 |
| 22 | 8T3-22•UR | 11.35 .447 | 1.75 .069 | 34.95 1.376 | 40.08 1.578 | 31.75 1.250 | 3.30 .130 |
| 24 | 8T3-24•UR | 11.35 .447 | 1.75 .069 | 38.13 1.501 | 43.26 1.703 | 34.93 1.375 | 3.99 .157 |

• : G olive green cadmium
F nickel

Gaskets

| Shell size | Part numbers | |
|------------|---|-------------------------------|
| | gasket for receptacle type 3 (ordered separately) | O. ring for receptacle type 7 |
| 08 | 8525-1431 | MS9068-022 |
| 10 | 8525-1432 | MS9068-024 |
| 12 | 8525-1433 | MS9068-026 |
| 14 | 8525-1434 | MS9068-028 |
| 16 | 8525-1435 | MS9068-029 |
| 18 | 8525-1436 | MS9068-030 |
| 20 | 8525-1437 | MS9068-031 |
| 22 | 8525-1438 | MS9068-032 |
| 24 | 8525-1439 | MS9068-033 |

Plastic protective caps

| Shell size | Part numbers | |
|------------|---------------------|--------------|
| | cap for receptacles | cap for plug |
| 08 | 8500-5585A | 8500-5594 |
| 10 | 8500-5586A | 71120 |
| 12 | 8500-5587A | 8500-5596 |
| 14 | 8500-5588A | 8500-5597 |
| 16 | 8500-5589A | 8500-5598 |
| 18 | 8500-5590A | 8500-5589 |
| 20 | 8500-5591A | 8500-5600 |
| 22 | 8500-5592A | 8500-5601 |
| 24 | 8500-5593A | 8500-5602 |

Reusable fixing plate

Two, three or four-holes self-locking fixing-plates are available at SHTP. See page 126.