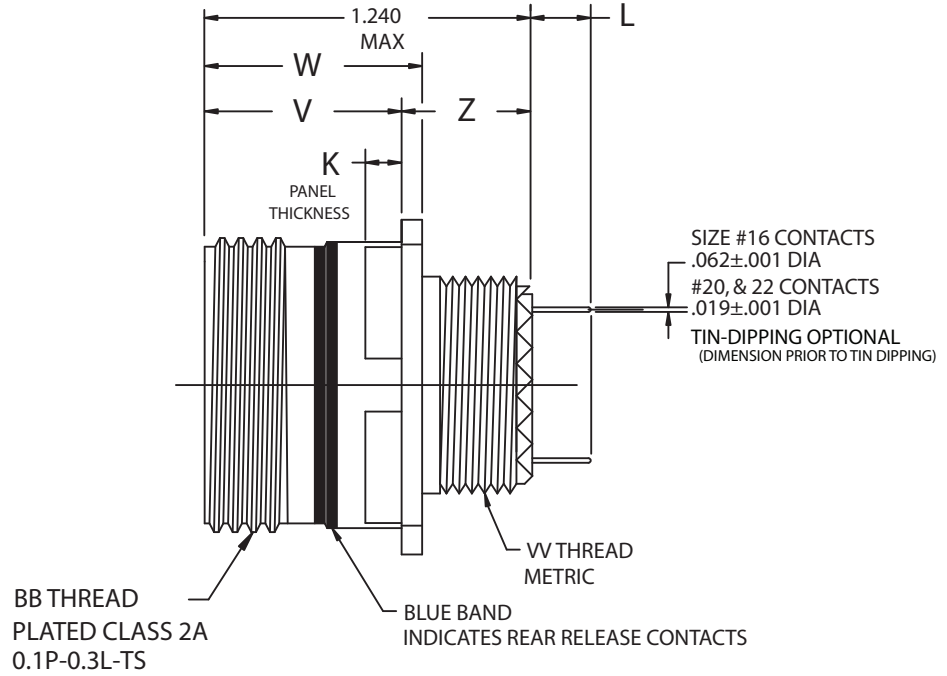
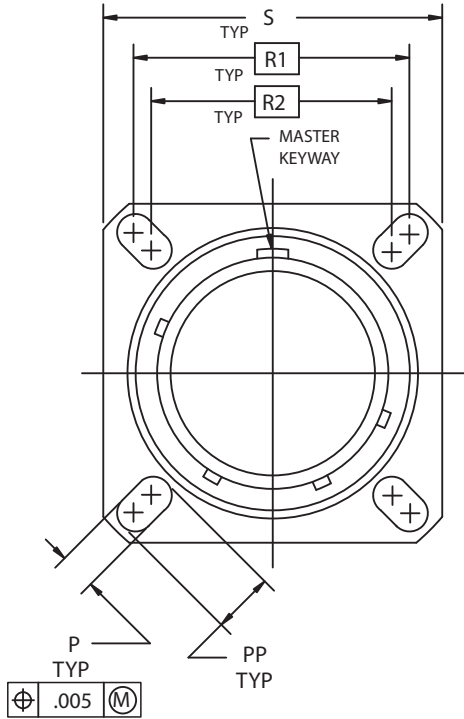


MIL-DTL-38999/20 Series III Type Connectors with PCB Contacts , Aluminum Shell

AE40/ WALL MOUNTING RECEPTACLE FLANGE

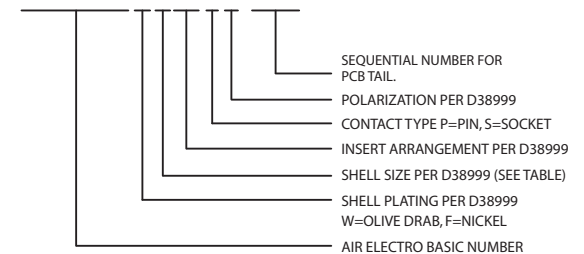
(800) 458-4412

www.airelectro.com



3. CALL FACTORY FOR DIFFERENT PC TAIL LENGTH, DIAMETERS, AND SHELL MATERIALS.
2. PLATING SEE PART NUMBERING DESCRIPTION.
W=OLIVE DRAB CADMIUM PLATED SHELL.
F=ELECTROLESS NICKEL PLATED SHELL.
1. CONNECTOR WILL MEET ALL APPLICABLE REQUIREMENTS OF MIL-C-38999/20, EXCEPT FOR PCB TAIL CONTACTS.

TO ORDER FOLLOW BELOW
PART NUMBERING DESCRIPTION.
AE40/20WA35SN-101



SHELL SIZE		PART NUMBER	BB THREAD	Z MAX	R1	R2	S ±.011	P ±.008	PP ±.008	VW THREAD	V	K MAX	W	"L" SIZE 16 & 20 CONTACTS	"L" SIZE 22, CONTACTS
9	A	AE40/20XAXXXX-101	.6250	.469	.719	.594	.937	.128	.216	M12x1.0-6g 0.100R	.820 .771	.228	.918 MAX	.228 .178	.242 .181
11	B	AE40/20XBXXXX-101	.7500		.812	.719	1.031		.194	M15x1.0-6g 0.100R					
13	C	AE40/20XCXXXX-101	.8750		.906	.812	1.126		.194	M18x1.0-6g 0.100R					
15	D	AE40/20DXXXXX-101	1.0000		.969	.906	1.220		.173	M22x1.0-6g 0.100R					
17	E	AE40/20EXXXXX-101	1.1875		1.062	.969	1.311		.194	M25x1.0-6g 0.100R					
19	F	AE40/20FXXXXX-101	1.2500		1.156	1.062	1.437		.194	M28x1.0-6g 0.100R					
21	G	AE40/20GXXXXX-101	1.3750	.499	1.250	1.156	1.563	.194	M31x1.0-6g 0.100R	.790 .741	.197	.916 MAX			
23	H	AE40/20HXXXXX-101	1.5000		1.375	1.250	1.689	.242	M34x1.0-6g 0.100R						
25	J	AE40/20JXXXX-101	1.6250		1.500	1.375	1.811	.154	.242						M37x1.0-6g 0.100R

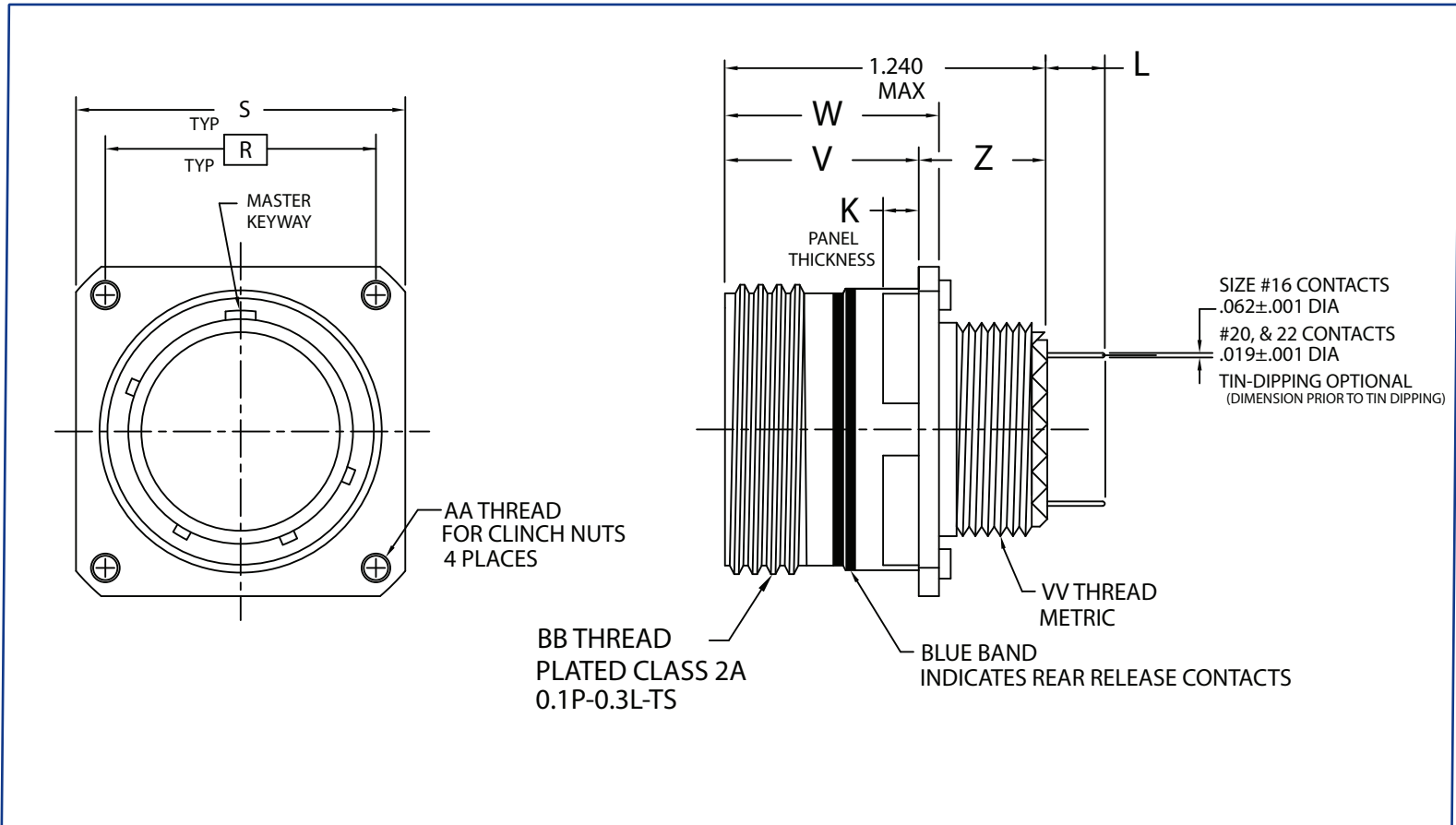
THIS DOCUMENT IS ISSUED IN STRICT CONFIDENCE ON THE CONDITION THAT IT IS NOT TO BE USED AS THE BASIS FOR MANUFACTURING OR SALE, AND THAT IT IS NOT TO BE COPIED, REPRINTED OR DISCLOSED TO A THIRD PARTY WITHOUT THE WRITTEN CONSENT OF AIR ELECTRO, INC.

MIL-DTL-38999/20 Series III Type Connectors with PCB Contacts , Aluminum Shell

AE40C / WALL MOUNTING RECEPTACLE FLANGE WITH CLINCH NUTS

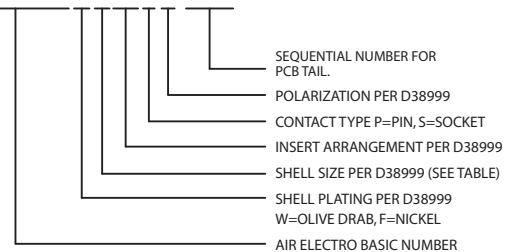
(800) 458-4412

www.airelectro.com



3. CALL FACTORY FOR DIFFERENT PC TAIL LENGTH, DIAMETERS, AND SHELL MATERIALS.
2. PLATING SEE PART NUMBERING DESCRIPTION.
W=OLIVE DRAB CADMIUM PLATED SHELL.
F=ELECTROLESS NICKEL PLATED SHELL.
1. CONNECTOR WILL MEET ALL APPLICABLE REQUIREMENTS OF MIL-C-38999/20, EXCEPT FOR PCB TAIL CONTACTS.

TO ORDER FOLLOW BELOW
PART NUMBERING DESCRIPTION.
AE40C/20WA35SN-101



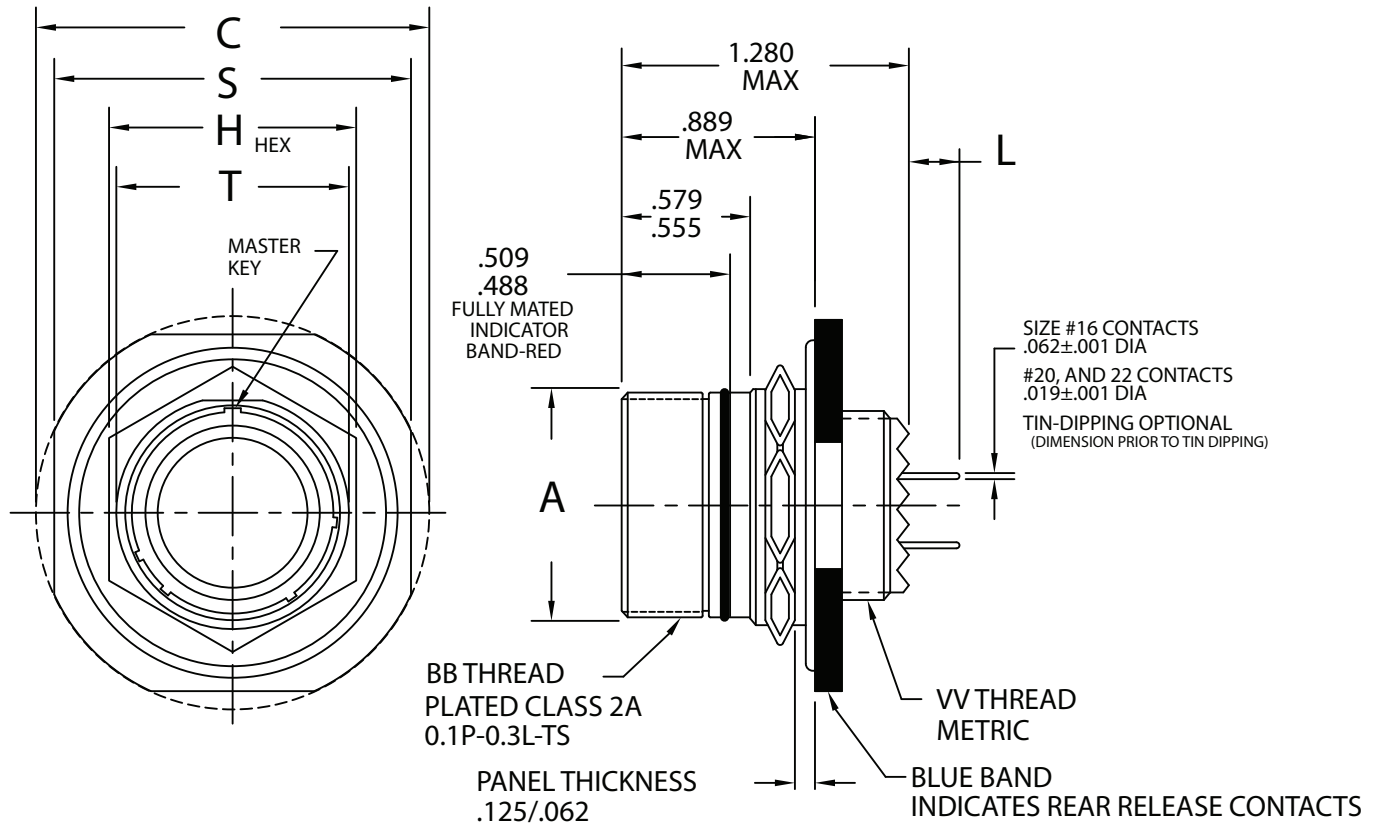
SHELL SIZE		PART NUMBER	AA THREAD	BB THREAD	Z MAX	R	S MAX	VV THREAD	V	K MAX	W	"L" SIZE 16 & 20 CONTACTS	"L" SIZE 22, CONTACTS
9	A	AE40C/20AXXXXX-101	.112-40 UNC-3B	.6250	.469	.719	1.093	M12x1.0-6g 0.100R	.820 .771	.228	.918 MAX	.228 .178	.242 .181
11	B	AE40C/20BXXXXX-101		.7500		.812	1.185	M15x1.0-6g 0.100R					
13	C	AE40C/20CXXXXX-101		.8750		.906	1.280	M18x1.0-6g 0.100R					
15	D	AE40C/20DXXXXX-101		1.0000		.969	1.343	M22x1.0-6g 0.100R					
17	E	AE40C/20EXXXXX-101		1.1875		1.062	1.435	M25x1.0-6g 0.100R					
19	F	AE40C/20FXXXXX-101		1.2500		1.156	1.530	M28x1.0-6g 0.100R					
21	G	AE40C/20GXXXXX-101		1.3750		1.250	1.623	M31x1.0-6g 0.100R					
23	H	AE40C/20HXXXXX-101	.138-32 UNC-3B	1.5000	.499	1.375	1.748	M34x1.0-6g 0.100R	.790 .741	.197	.916 MAX		
25	J	AE40C/20JXXXX-101		1.6250		1.500	1.873	M37x1.0-6g 0.100R					

MIL-DTL-38999/24 Series III Type Connectors with PCB Contacts , Aluminum Shell

AE40/ JAM-NUT MOUNTING RECEPTACLE FLANGE

(800) 458-4412

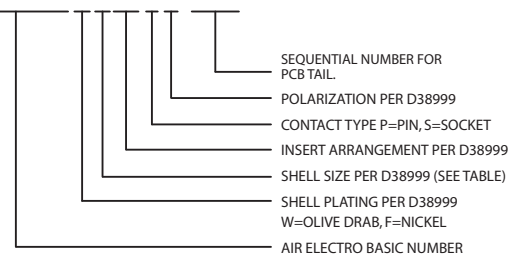
www.airelectro.com



5. CONTACTS SHALL BE PLATED GOLD OVER NICKEL.
(SELECTIVE PLATING AVAILABLE)
4. DIMENSIONS "A" & "T" ARE FOR PANEL CUT OUT (D SHAPE).
3. CALL FACTORY FOR DIFFERENT PC TAIL LENGTH, DIAMETERS,
AND SHELL MATERIALS.
2. PLATING SEE PART NUMBERING DESCRIPTION.
W=OLIVE DRAB CADMIUM PLATED SHELL.
F=ELECTROLESS NICKEL PLATED SHELL.
1. CONNECTOR WILL MEET ALL APPLICABLE REQUIREMENTS
OF MIL-C-38999/24, EXCEPT FOR PCB TAIL CONTACTS.

TO ORDER FOLLOW BELOW
PART NUMBERING DESCRIPTION.

AE40/24WA35SN-101



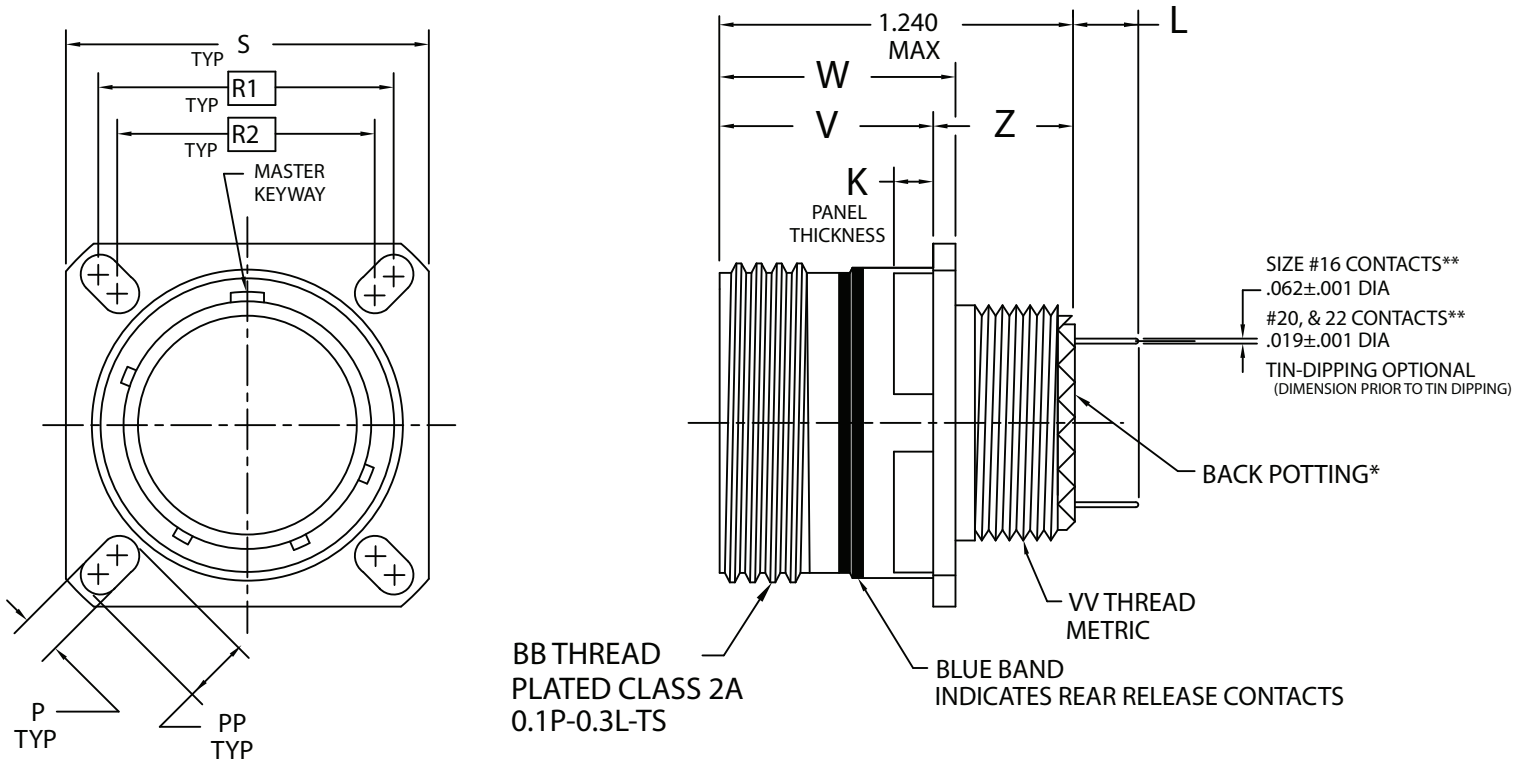
SHELL SIZE	PART NUMBER	A	BB THREAD	C MAX	H	S±.015	T	VV THREAD	"L" SIZE 16 & 20 CONTACTS	"L" SIZE 22D, OR M CONTACTS
9	A AE40/24AXXXX-101	.670 .660	.6250	1.200	.945 .859	1.063	.710 .700	M12x1.0-6g 0.100R		
11	B AE40/24BXXXX-101	.771 .761	.7500	1.386	1.063 .984	1.252	.831 .825	M15x1.0-6g 0.100R		
13	C AE40/24CXXXX-101	.955 .945	.8750	1.512	1.260 1.172	1.374	1.020 1.010	M18x1.0-6g 0.100R	.244	.258
15	D AE40/24DXXXX-101	1.085 1.075	1.0000	1.638	1.417 1.296	1.500	1.145 1.135	M22x1.0-6g 0.100R	.200	.206
17	E AE40/24EXXXX-101	1.210 1.200	1.1875	1.764	1.456 1.422	1.626	1.270 1.260	M25x1.0-6g 0.100R		
19	F AE40/24FXXXX-101	1.335 1.325	1.2500	1.949	1.614 1.545	1.811	1.395 1.385	M28x1.0-6g 0.100R		
21	G AE40/24GXXXX-101	1.460 1.450	1.3750	2.075	1.811 1.675	1.937	1.520 1.510	M31x1.0-6g 0.100R	.222	.236
23	H AE40/24HXXXX-101	1.585 1.575	1.5000	2.200	1.968 1.796	2.063	1.645 1.635	M34x1.0-6g 0.100R	.177	.180
25	J AE40/24JXXXX-101	1.710 1.700	1.6250	2.323	2.017 1.939	2.189	1.770 1.760	M37x1.0-6g 0.100R		

MIL-DTL-38999/20 Series III Type Connectors with PCB Contacts , Aluminum Shell

AE40E / WALL MOUNTING RECEPTACLE FLANGE WITH FIXED PRINTED CIRCUIT TAIL CONTACTS

(800) 458-4412

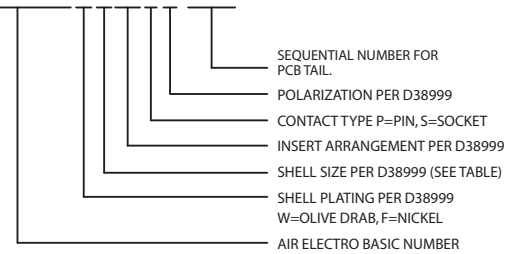
www.airelectro.com



7. CALL FACTORY FOR VARIATIONS ON PC TAIL LENGTH, DIAMETER, SHELL MATERIAL, AND LOW PROFILE CONNECTOR (SHORT REAR)
- *6. BACK POTTING WITH NON-CONDUCTIVE EPOXY SEALED CONTACTS.
5. SHELL MATERIAL: PER D38999.
W= ALUMINUM ALLOY
4. SHELL FINISH: PER D38999.
W= OLIVE DRAB CADMIUM PLATED SHELL F=ELECTROLESS NICKEL.
3. CONTACT MATERIAL: SUITABLE COPPER ALLOY.
2. CONTACT FINISH: .000050 THICK MIN GOLD PER TYPE MIL-G-45204, II, GRADE C, CLASS 1, OVER .000050 MIN. THICK NICKEL PER QQ-N-290, CLASS 2.
- **1. CONTACTS ARE FIXED, NON-REMOVABLE.

TO ORDER FOLLOW BELOW
PART NUMBERING DESCRIPTION.

AE40E/20WA35SN-101



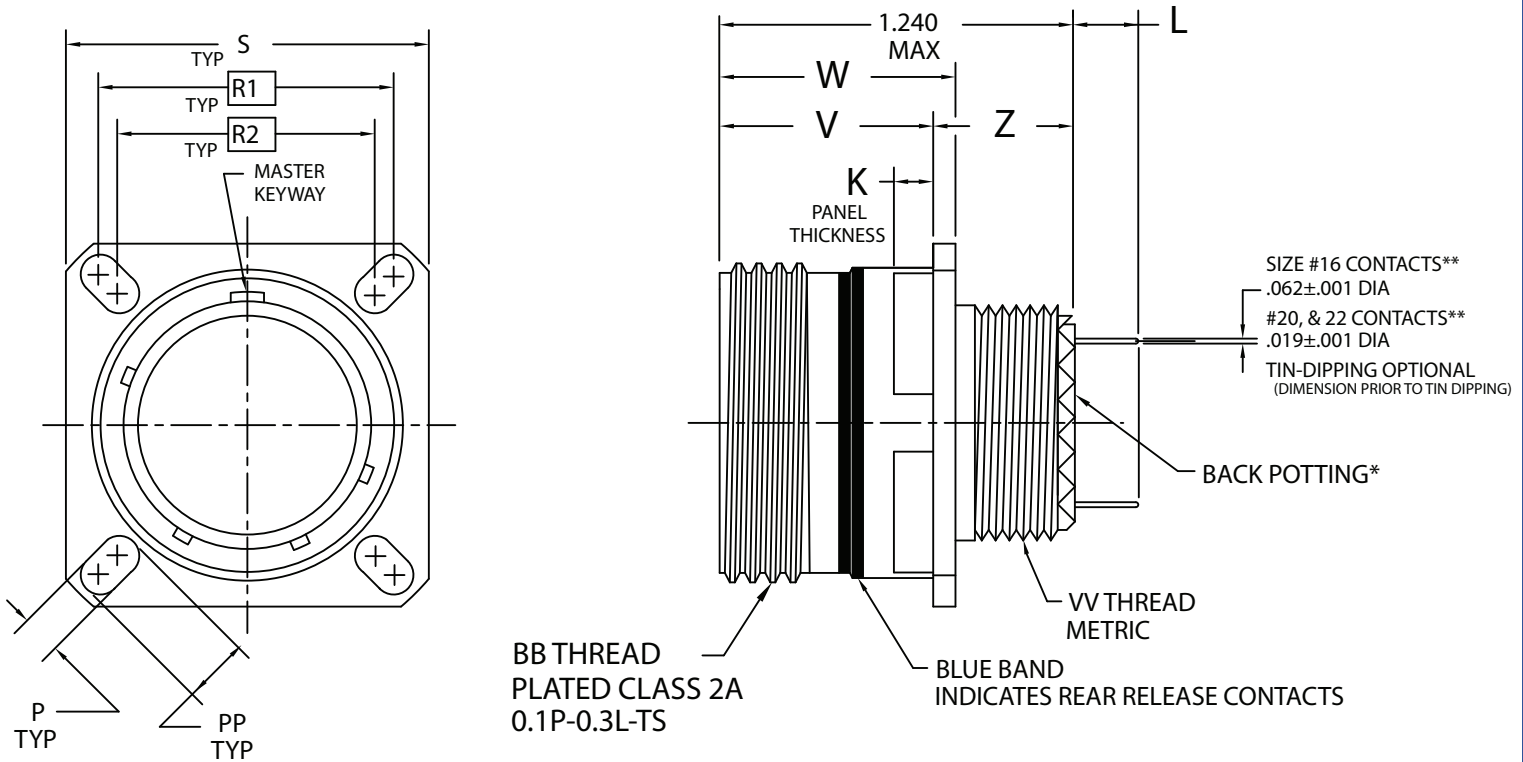
SHELL SIZE	PART NUMBER	BB THREAD	Z MAX	R1	R2	S ±.011	P ±.008	PP ±.008	VV THREAD	V	K MAX	W	"L" SIZE 16 & 20 CONTACTS	"L" SIZE 22, CONTACTS
9	A	AE40E/20AXXXX-101	.6250	.719	.594	.937	.128	.216	M12x1.0-6g 0.100R	.820 .771	.228	.918 MAX	.228 .178	.242 .181
11	B	AE40E/20BXXXX-101	.7500	.812	.719	1.031		.194	M15x1.0-6g 0.100R					
13	C	AE40E/20CXXXX-101	.8750	.906	.812	1.126		.194	M18x1.0-6g 0.100R					
15	D	AE40E/20DXXXX-101	1.0000	.969	.906	1.220		.173	M22x1.0-6g 0.100R					
17	E	AE40E/20EXXXX-101	1.1875	1.062	.969	1.311		.194	M25x1.0-6g 0.100R					
19	F	AE40E/20FXXXX-101	1.2500	1.156	1.062	1.437		.194	M28x1.0-6g 0.100R					
21	G	AE40E/20GXXXX-101	1.3750	1.250	1.156	1.563	.194	M31x1.0-6g 0.100R	.790 .741	.197	.916 MAX			
23	H	AE40E/20HXXX-101	1.5000	1.375	1.250	1.689	.242	M34x1.0-6g 0.100R						
25	J	AE40E/20JXXX-101	1.6250	1.500	1.375	1.811	.242	M37x1.0-6g 0.100R						

MIL-DTL-38999/20 Series III Type Connectors with PCB Contacts , Composite Shell

AE40E / WALL MOUNTING RECEPTACLE FLANGE WITH FIXED PRINTED CIRCUIT TAIL CONTACTS

(800) 458-4412

www.airelectro.com



7. CALL FACTORY FOR VARIATIONS ON PC TAIL LENGTH, DIAMETER, SHELL MATERIAL, AND LOW PROFILE CONNECTOR (SHORT REAR)

*6. BACK POTTING WITH NON-CONDUCTIVE EPOXY SEALED CONTACTS.

5. SHELL MATERIAL: PER D38999.
J= COMPOSITE

4. SHELL FINISH: PER D38999.

J= OLIVE DRAB CADMIUM PLATED SHELL M=ELECTROLESS NICKEL.

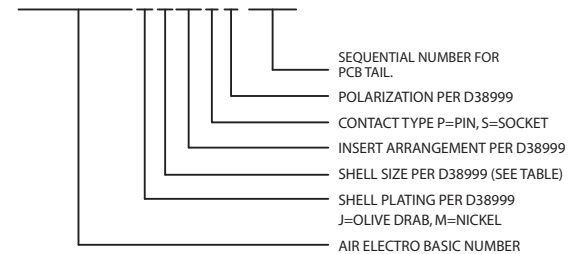
3. CONTACT MATERIAL: SUITABLE COPPER ALLOY.

2. CONTACT FINISH: .000050 THICK MIN GOLD PER TYPE MIL-G-45204, II, GRADE C, CLASS 1, OVER .000050 MIN. THICK NICKEL PER QQ-N-290, CLASS 2.

**1. CONTACTS ARE FIXED, NON-REMOVABLE.

TO ORDER FOLLOW BELOW
PART NUMBERING DESCRIPTION.

AE40E/20JA35SN-101



SHELL SIZE	PART NUMBER	BB THREAD	Z MAX	R1	R2	S ±.011	P ±.008	PP ±.008	VV THREAD	V	K MAX	W	"L" SIZE 16 & 20 CONTACTS	"L" SIZE 22, CONTACTS
9	A	AE40E/20AXXXX-101	.6250	.719	.594	.937	.128	.216	M12x1.0-6g 0.100R	.820 .771	.228	.918 MAX	.228 .178	.242 .181
11	B	AE40E/20BXXXX-101	.7500	.812	.719	1.031		.194	M15x1.0-6g 0.100R					
13	C	AE40E/20CXXXX-101	.8750	.906	.812	1.126		.194	M18x1.0-6g 0.100R					
15	D	AE40E/20DXXXX-101	1.0000	.969	.906	1.220		.173	M22x1.0-6g 0.100R					
17	E	AE40E/20EXXXX-101	1.1875	1.062	.969	1.311		.194	M25x1.0-6g 0.100R					
19	F	AE40E/20FXXXX-101	1.2500	1.156	1.062	1.437		.194	M28x1.0-6g 0.100R					
21	G	AE40E/20GXXXX-101	1.3750	1.250	1.156	1.563	.194	M31x1.0-6g 0.100R	.790 .741	.197	.916 MAX			
23	H	AE40E/20HXXX-101	1.5000	1.375	1.250	1.689	.242	M34x1.0-6g 0.100R						
25	J	AE40E/20JXXX-101	1.6250	1.500	1.375	1.811	.242	M37x1.0-6g 0.100R						