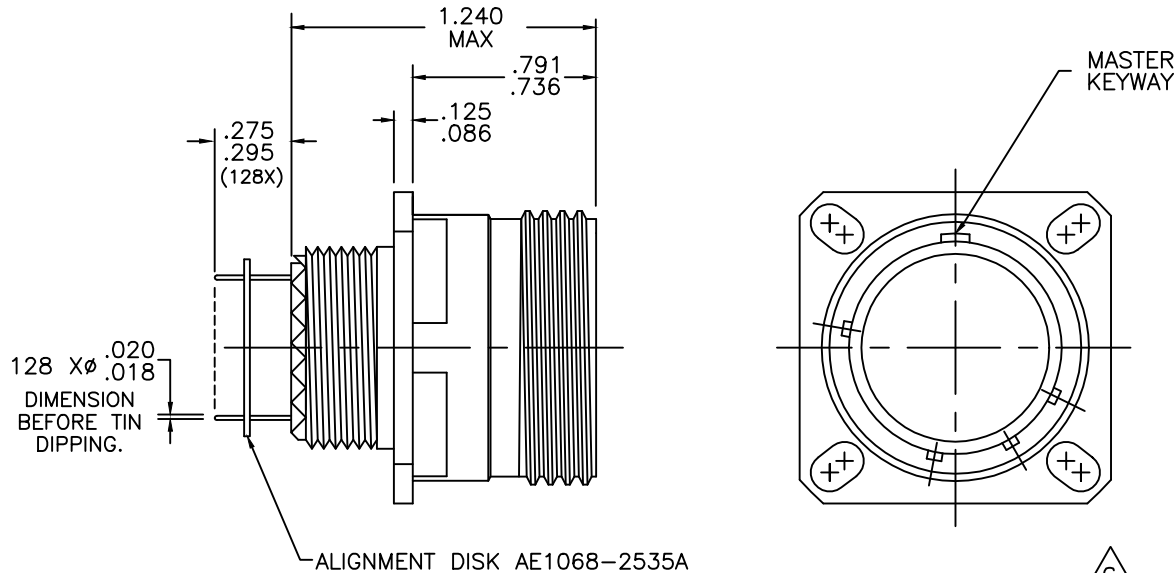


THIS DOCUMENT IS ISSUED IN STRICT CONFIDENCE ON THE CONDITION THAT IT IS NOT TO BE USED AS THE BASIS FOR MANUFACTURING OR SALE, AND THAT IT IS NOT TO BE COPIED, REPRINTED OR DISCLOSED TO A THIRD PARTY WITHOUT THE WRITTEN CONSENT OF AIR ELECTRO, INC.

REVISIONS				
ZONE	REV	DESCRIPTION	DATE	APPROVED
	NC	RELEASE	3/29/04	P.F.
	A	ADD ALIGNMENT DISK	8/31/10	P.F.



PART NUMBER	CONNECTOR REF.	POLARIZATION	STAMP PART No.
AE906016944	D38999/20WJ35SN	N	07639-FV29010P1
AE906016950	D38999/20WJ35SA	A	07639-FV29011P1

6. INK STAMP WITH "SOURIAU", "AEI", AND PART No. PER TABLE.
5. SHELL MATERIAL: ALUMINUM ALLOY, PER QQ-A-225.
4. SHELL FINISH : OLIVE DRAB CADMIUM PLATE PER QQ-N-416, OVER A SUITABLE UNDER PLATE.
3. CONTACT MATERIAL: BODY-SUITABLE COPPER ALLOY.
HOOD-STAINLESS STEEL.
2. CONTACT FINISH : BODY-.000050 THICK MIN GOLD PER MIL-G-45204, TYPE II, GRADE C, CLASS 1 OVER .000050 MIN THICK NICKEL PER QQ-N-290, CLASS 2.
HOOD-STAINLESS STEEL.
1. SOCKET CONTACTS ARE REMOVABLE USING STANDARD MILITARY INS./EXT. TOOLS. ASSEMBLY SHOWN WITH AEI PCB TYPE SOCKET CONTACTS (AE40-2247-3020T) INSTALLED.

NOTE: UNLESS OTHERWISE SPECIFIED

UNLESS OTHERWISE SPECIFIED DIMENSIONS ARE IN INCHES IN ACCORDANCE WITH ANSI Y14.5. TOLERANCES: SURFACE ROUGHNESS 63/ DEC .X± FRACTIONS± DEC .XX±010 ANGLES ±° DEC .XXX±	CONTRACT NO.		AIR ELECTRO, INC. 9452 DESOTO AVE. CHATSWORTH, CA 91311				
	DRAWN FREIRE	DATE 3/29/04					
	CHECKED		TITLE CONNECTOR, RECEPTACLE, SHELL #25, ASSY, WITH #22 SKT PCB CONTACTS (M38999, SER III)				
	PROD ENGR						
MATERIAL:	5	3	SIZE	FSCM NO.	DWG NO.	AE906016950	REV
FINISH:	2	4	A	1E559	AE906016944	A	
USED ON			SCALE	NONE	01760	SHEET	1 OF 1