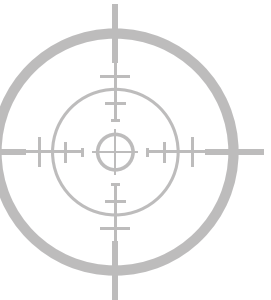
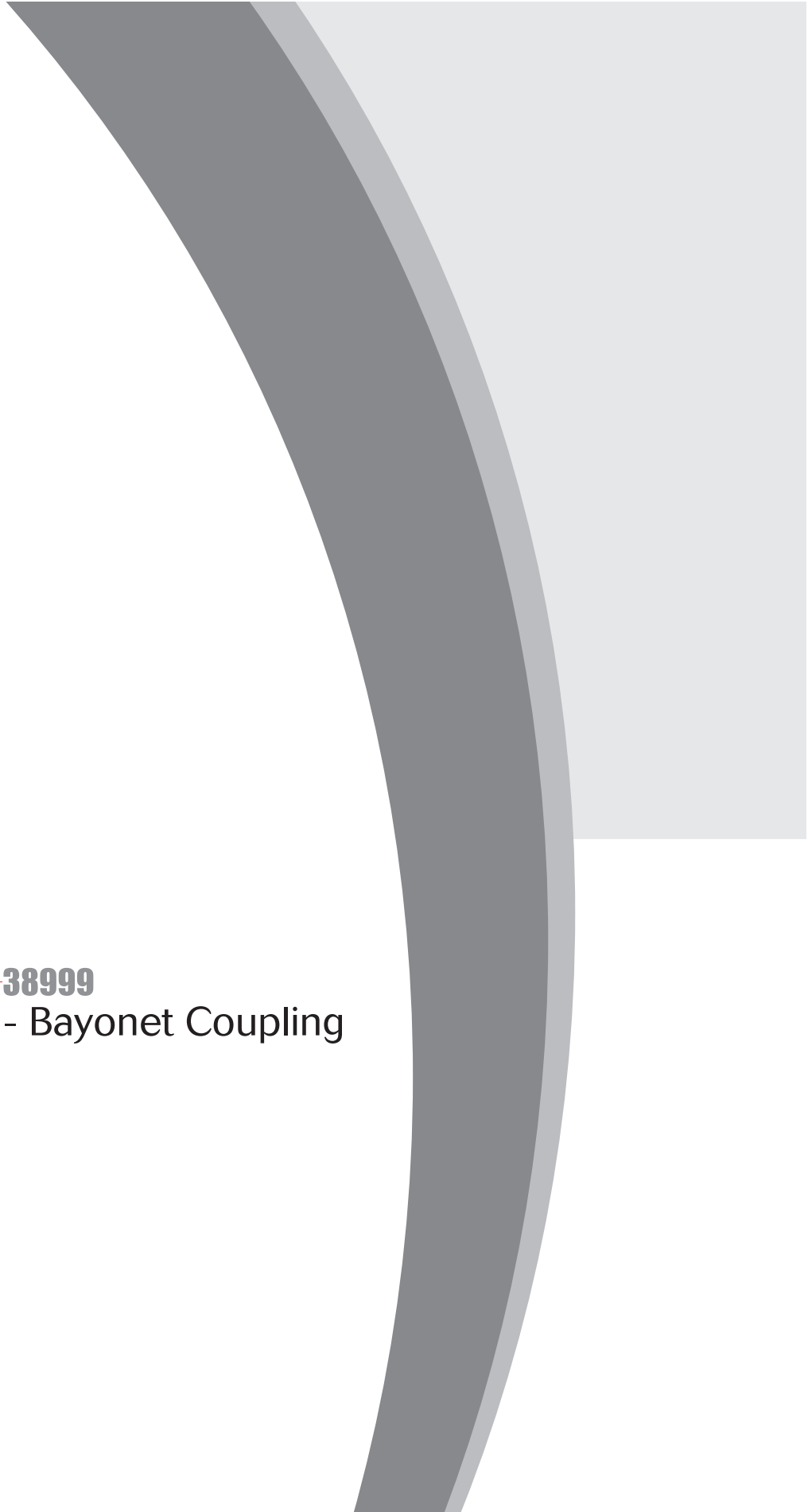


micr  
38999



**micr**  **38999**  
8LTA - Bayonet Coupling





## micr<sup>+</sup>38999 8LTA - Bayonet Coupling



### Description

- **A compact solution**
  - The smallest connector available on the market (shell size 3)
  - Miniaturization of MIL-DTL-38999 Series I
  - Quick bayonet locking
  - Integrated backshell:
    - . Easy to wire and handle
    - . Compatible with heat shrink boot and braid retention band
    - . Compliant with overmolding
- **A versatile solution**
  - 3 shells sizes: 3, 5, 7
  - Plug; In line, square flange, oval flange and jam nut receptacle
  - 3 materials, 3 platings
  - Crimp & PC tails (on request)
  - Removable contacts #22D & #26
  - 6 keyings
- **Harsh environment-resistant solution**
  - Scoop Proof
  - Cavity to cavity sealed with interfacial seal and grommet
  - Fluid resistant

### Technical Features

#### Mechanical

- **Shell:**
  - Aluminum alloy
  - Passivated stainless steel (for size 5 & 7)
- **Shell plating:**
  - Aluminum:
    - . Zinc nickel (RoHS)
    - . Nickel (RoHS)
    - . Olive drab cadmium
  - Passivated stainless steel (RoHS)
  - Composite (size 7)
- **Insulator:** Thermoplastic
- **Contact body:** Copper alloy
- **Contacts plating:** Gold over nickel plated
- **Shell endurance:**
  - Aluminum:
    - 250 mating/unmating cycles
  - Passivated stainless steel:
    - 1000 mating/unmating cycles
- **Vibration:**
  - 30 grms ambient, 2 axes during 8 hours

#### Electrical

- **Wire size**

Layout	Wire (AWG)
03-05	24-30
03-35	22-28
05-06	24-30
05-35	22-28
07-09	24-30
07-35	22-28
- **Test voltage (at sea level):**
  - Size 22D: 1000 Vrms
  - Size 26: 400 Vrms
- **Contact resistance:**
  - Size 22D: <14.6 mΩ
  - Size 26: <16 mΩ
- **Contact rating:**
  - Size 22D: 5A
  - Size 26: 3A
- **Contact retention:**
  - Size 22D: 45N
  - Size 26: 30N
- **Shell to shell continuity**

Shell size	All versions
03	< 250 mΩ
05	
07	
- **EMI:**
  - 55dB @ 1GHz

#### Environmental

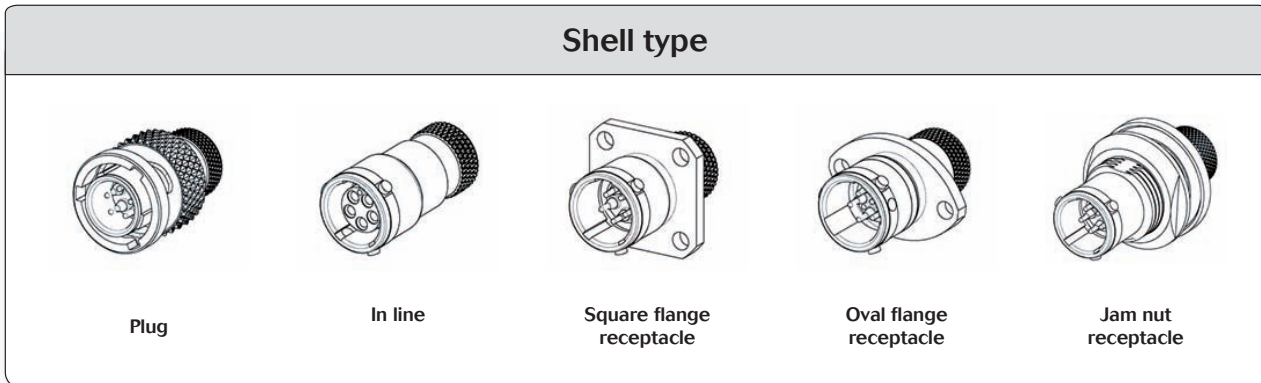
- **Temperature range:**
  - 55°C to +175°C
- **Water immersion:**
  - IP 67 on mated connector
  - 1 meter for 30 min minimum
  - > IP68 with appropriate cable termination
- **Salt spray:**
  - Zinc nickel: 500 hours
  - Nickel: 48 hours
  - Olive drab cadmium: 500 hours
  - Passivated stainless steel: 500 hours

#### Resistance to fluids

- **According to MIL-DTL-38999 standard**
  - Gasoline: JP5 (OTAN F44)
  - Mineral hydraulic fluid: MIL-H-5606 (OTAN H515)
  - Synthetic hydraulic fluid: Skydrol 500 B4
- **Compatible with de-icing fluids containing potassium acetate**



**micr 38999**  
**8LTA - Bayonet Coupling**



For other configuration (PC tail, specific jam nut, ...) please consult us.

**Contact layouts**



**Ordering information**

Basic Series	8LTA	Ø	Ø3	W	Ø5	P	N
<b>Shell type:</b> Ø: Square flange receptacle 1: In line receptacle 2: Oval flange receptacle 6: Plug without EMI ring 7: Jam nut receptacle							
<b>Shell size: Ø3 - Ø5 - Ø7</b>							
<b>Plating :</b> Z: Black zinc nickel F: Nickel W: Olive drab cadmium K: Passivated stainless steel (except for size 3)							
<b>Contact layouts:</b> See above							
<b>Contact type:</b> P: Pin S: Socket							
<b>Orientation:</b> N, A, B, C, D, E							

Note: Ø = Zero

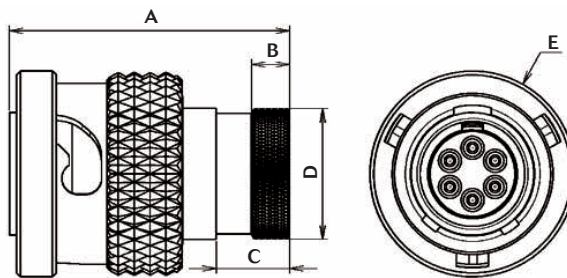


micr<sup>+</sup>38999

## 8LTA - Bayonet Coupling

### Dimensions

#### Plug - Shell type 6



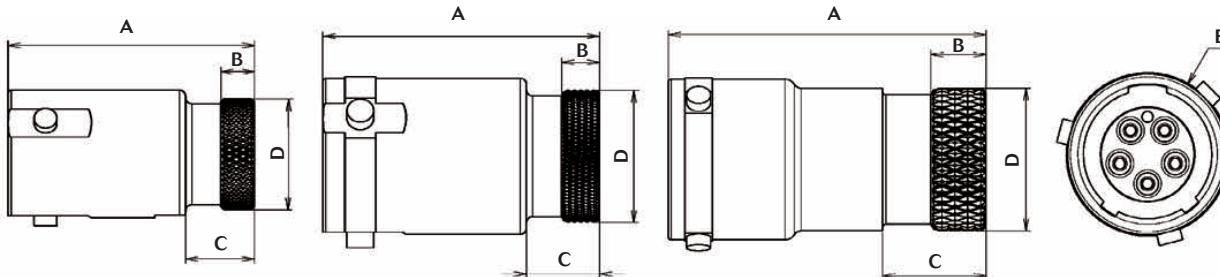
Shell size		A Max	B Max	C Max	Ø D Max	Ø E Max
3	3-05	16.2	2.2 $\pm$ 0.15	4.6	7.2	10.5
	3-35	17.5	2.2 $\pm$ 0.15	5.9	7.2	10.5
05		18.4	2.5 $\pm$ 0.15	4.9	8.55	13.5
07		22.06	3.65 $\pm$ 0.15	6.35	10.3	15.06

#### In line receptacle - Shell type 1

Shell size 3

Shell size 5

Shell size 7



Shell size		A Max	B Max	C Max	Ø D Max	Ø E Max
3	3-05	16.2	2.2 $\pm$ 0.15	4.6	7.2	8.3
	3-35	17.5	2.2 $\pm$ 0.15	5.9	7.2	8.3
5		18.2	2.5 $\pm$ 0.15	4.9	8.55	10.15
7		23.6	4 $\pm$ 0.15	7.5	10.3	11.6

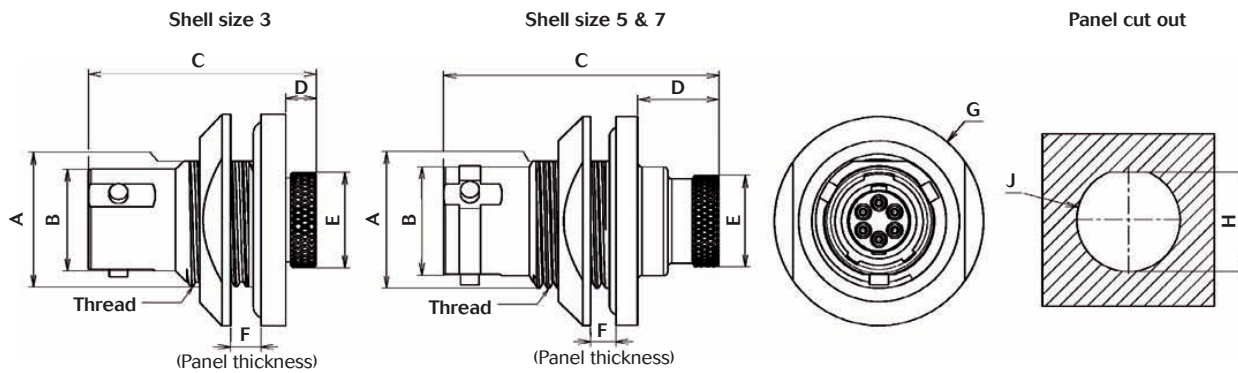
Note: All dimensions are in mm.



micr<sup>+</sup>38999

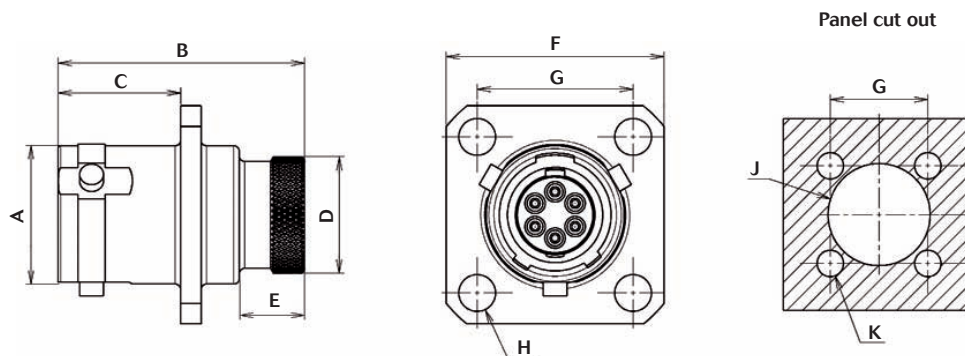
## 8LTA - Bayonet Coupling

### Jam nut receptacle - Shell type 7



Shell size	Thread	A Max	Ø B Max	C Max	D Max	Ø E Max	F Max	Ø G Max	H Max	Ø J Max	
3	3-05	7/16"28 UNEF 2A	10.3	8.3	16.2	2.6	7.8	1 to 3.2	17.3	11.3 <sup>±0.1</sup>	12 <sup>±0.1</sup>
	3-35	7/16"28 UNEF 2A	10.3	8.3	17.5	2.6	7.8	1 to 3.2	17.3	11.3 <sup>±0.1</sup>	12 <sup>±0.1</sup>
5	1/2"28 UNEF 2A	11.7	10.5	25.9	7.7	8.55	1 to 3.2	19.5	13 <sup>±0.1</sup>	13.5 <sup>±0.1</sup>	
7	9/16"24 UNEF 2A	13.4	11.6	33.55	10.4	10.3	1 to 3.2	20.8	14.4 <sup>±0.1</sup>	15.2 <sup>±0.1</sup>	

### Square flange receptacle - Shell type 0



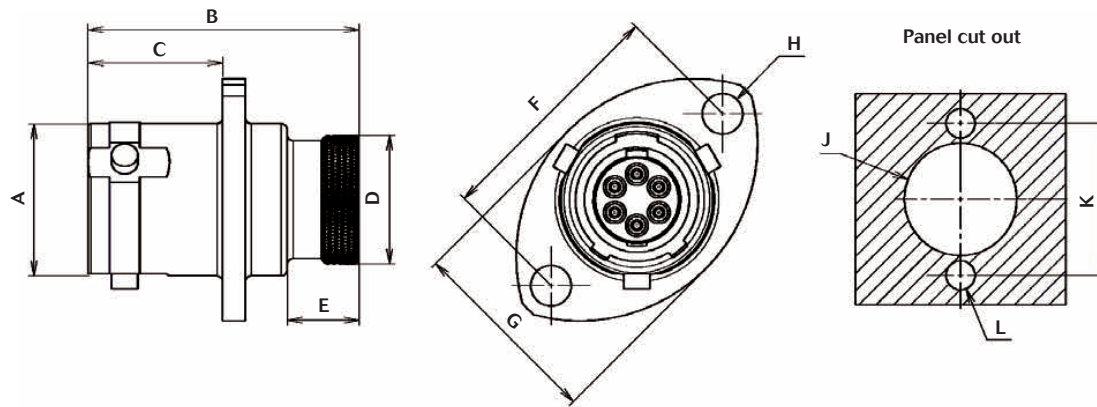
Shell size	Ø A Max	B Max	C Max	Ø D Max	E Max	F Max	G Max	Ø H Max	Ø J Max	Ø K Max	
3	3-05	8.3	16.2	8.7	7.2	4.6	15.5	10.8	2.7 <sup>±0.1</sup>	9.3 <sup>±0.1</sup>	3.1 <sup>±0.1</sup>
	3-35	8.3	17.5	8.7	7.2	5.9	15.5	10.8	2.7 <sup>±0.1</sup>	9.3 <sup>±0.1</sup>	3.1 <sup>±0.1</sup>
5	10.15	18.2	9.05	8.55	4.9	16	11.45	2.7 <sup>±0.1</sup>	12 <sup>±0.1</sup>	3.1 <sup>±0.1</sup>	
7	11.6	23.06	10.8	10.3	7.5	18	12.7	2.7 <sup>±0.1</sup>	13 <sup>±0.1</sup>	3.1 <sup>±0.1</sup>	

Note: All dimensions are in mm.



**micr 38999**  
**8LTA - Bayonet Coupling**

**Oval flange receptacle - Shell type 2**



Shell size	Ø A Max	B Max	C Max	Ø D Max	E Max	F Max	G Max	Ø H Max	Ø J Max	K Max	Ø L Max	
3	3-05	8.3	16.2	8.7	7.2	4.6	15.3 $\pm$ 0.2	10.5 $\pm$ 0.1	2.8	9.3 $\pm$ 0.1	15.3 $\pm$ 0.2	3.1 $\pm$ 0.1
	3-35	8.3	17.5	8.7	7.2	5.9	15.3 $\pm$ 0.2	10.5 $\pm$ 0.1	2.8	9.3 $\pm$ 0.1	15.3 $\pm$ 0.2	3.1 $\pm$ 0.1
5	10.15	18.2	9.05	8.55	4.9	16.2 $\pm$ 0.2	13 $\pm$ 0.1	2.7	12 $\pm$ 0.1	16.2 $\pm$ 0.2	3.1 $\pm$ 0.1	
7	11.6	23.06	10.8	10.3	7.5	18 $\pm$ 0.2	14.8 $\pm$ 0.1	2.7	13 $\pm$ 0.1	18 $\pm$ 0.2	3.1 $\pm$ 0.1	

Note: All dimensions are in mm.



**micr 38999**  
**8LTA - Bayonet Coupling**

**Connector weights**

Weight				
Aluminum version (in gram $\pm 10\%$ )				
Shell size & layout	Plug		Square flange receptacle	
	Without contacts	With contacts	Without contacts	With contacts
3-05	1.6	1.7	2	2.2
5-35	3	3.3	2.9	3.1
7-35	4.5	4.9	4.2	4.6

**Orientations**

Orientation - All shell types							
Shell size 3				Shell size 5 & 7			
Shell size	Angles	N	A	B	C	D	E
3	X °	153	51	102	204	255	306
5 & 7	Y °	145	130	110	155	90	90
	Z °	75	120	120	115	115	180