

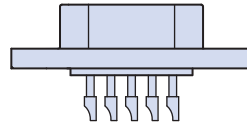
## D Subminiature Solder Mount Hermetic Connectors

Glass-sealed hermetic receptacles are qualified to MIL-DTL-24308/9 and feature gold-plated iron alloy size #20 contacts and steel shells. Available in five shell sizes, these connectors are installed onto bulkheads by soldering. Choose solder cup or eyelet contacts for termination to #20 AWG wire. Choose Class H tin-plated steel shells for general purpose applications. For space applications choose Class K versions with nickel-plated stainless steel shells.

Style A

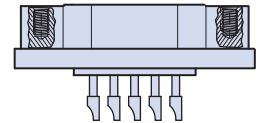


Flange  
Style A



Solid connector flange with no mounting hole.

Flange  
Style B

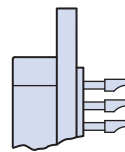


Connector flange features integral tapped #4-40 female threads for attaching mating male screw locks.

Style B

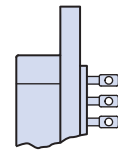


Contact  
Style P



Connector is supplied with solder cup contacts.

Contact  
Style X



Connector is supplied with eyelet style contacts.

| Shell Size | No. of Contacts | Contact Style | Flange Style | Class H Tin-Plated Steel    |             | Class K (Space) Nickel-Plated Stainless Steel |             |
|------------|-----------------|---------------|--------------|-----------------------------|-------------|---|-------------|
|            |                 |               |              | Part Number                 | Military PN | Part Number                                   | Military PN |
| 1          | 9               | Solder Cup    | A            | <a href="#">280-006H1AP</a> | M24308/9-1  | <a href="#">280-006K1AP</a>                   | M24308/9-21 |
| 1          | 9               | Solder Cup    | B            | <a href="#">280-006H1BP</a> | M24308/9-11 | <a href="#">280-006K1BP</a>                   | M24308/9-31 |
| 1          | 9               | Eyelet        | A            | <a href="#">280-006H1AX</a> | M24308/9-6  | <a href="#">280-006K1AX</a>                   | M24308/9-26 |
| 1          | 9               | Eyelet        | B            | <a href="#">280-006H1BX</a> | M24308/9-16 | <a href="#">280-006K1BX</a>                   | M24308/9-36 |
| 2          | 15              | Solder Cup    | A            | <a href="#">280-006H2AP</a> | M24308/9-2  | <a href="#">280-006K2AP</a>                   | M24308/9-22 |
| 2          | 15              | Solder Cup    | B            | <a href="#">280-006H2BP</a> | M24308/9-12 | <a href="#">280-006K2BP</a>                   | M24308/9-32 |
| 2          | 15              | Eyelet        | A            | <a href="#">280-006H2AX</a> | M24308/9-7  | <a href="#">280-006K2AX</a>                   | M24308/9-27 |
| 2          | 15              | Eyelet        | B            | <a href="#">280-006H2BX</a> | M24308/9-17 | <a href="#">280-006K2BX</a>                   | M24308/9-37 |
| 3          | 25              | Solder Cup    | A            | <a href="#">280-006H3AP</a> | M24308/9-3  | <a href="#">280-006K3AP</a>                   | M24308/9-23 |
| 3          | 25              | Solder Cup    | B            | <a href="#">280-006H3BP</a> | M24308/9-13 | <a href="#">280-006K3BP</a>                   | M24308/9-33 |
| 3          | 25              | Eyelet        | A            | <a href="#">280-006H3AX</a> | M24308/9-8  | <a href="#">280-006K3AX</a>                   | M24308/9-28 |
| 3          | 25              | Eyelet        | B            | <a href="#">280-006H3BX</a> | M24308/9-18 | <a href="#">280-006K3BX</a>                   | M24308/9-38 |
| 4          | 37              | Solder Cup    | A            | <a href="#">280-006H4AP</a> | M24308/9-4  | <a href="#">280-006K4AP</a>                   | M24308/9-24 |
| 4          | 37              | Solder Cup    | B            | <a href="#">280-006H4BP</a> | M24308/9-14 | <a href="#">280-006K4BP</a>                   | M24308/9-34 |
| 4          | 37              | Eyelet        | A            | <a href="#">280-006H4AX</a> | M24308/9-9  | <a href="#">280-006K4AX</a>                   | M24308/9-29 |
| 4          | 37              | Eyelet        | B            | <a href="#">280-006H4BX</a> | M24308/9-19 | <a href="#">280-006K4BX</a>                   | M24308/9-39 |
| 5          | 50              | Solder Cup    | A            | <a href="#">280-006H5AP</a> | M24308/9-5  | <a href="#">280-006K5AP</a>                   | M24308/9-25 |
| 5          | 50              | Solder Cup    | B            | <a href="#">280-006H5BP</a> | M24308/9-15 | <a href="#">280-006K5BP</a>                   | M24308/9-35 |
| 5          | 50              | Eyelet        | A            | <a href="#">280-006H5AX</a> | M24308/9-10 | <a href="#">280-006K5AX</a>                   | M24308/9-30 |
| 5          | 50              | Eyelet        | B            | <a href="#">280-006H5BX</a> | M24308/9-20 | <a href="#">280-006K5BX</a>                   | M24308/9-40 |

Dimensions in inches (millimeters) and are subject to change without notice.

Glenair is Distributed by Air Electro Inc.

**MATERIALS AND FINISHES**

|                |  |
|----------------|--|
| Contacts       | Ferrous alloy, gold plated per ASTM B488, type II, code C, class 1,27. |
| Shell, class H | Carbon steel, tin/lead plated over nickel underplating (3% min. lead)  |
| Shell, class K | 304L alloy stainless steel, dull nickel plated                         |
| Insulators     | Vitreous glass   |

**SPECIFICATIONS**

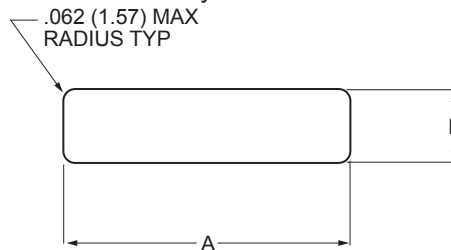
|                                     |  |
|-------------------------------------|--|
| Current rating                      | 5 Amps per contact maximum                               |
| Voltage rating (DWV)                | 750 VAC sea level, 175 VAC at 70,000 ft. (21,336 meters) |
| Insulation resistance               | 5000 megohms minimum                                     |
| Hermeticity                         | Less than $1 \times 10^{-5}$ cc/second helium leak rate  |
| Contact resistance                  | 165 milliohms maximum                                    |
| Thermal vacuum outgassing (class K) | 1.0% max. TML, 0.1% max. VCM                             |
| Durability                          | 500 mating cycles  |
| Operating temperature               | -55° C to +125° C  |
| Shock                               | 50 g.  |
| Vibration                           | 20 g.  |
| Corrosion resistance (salt spray)   | 48 hours   |
| Maximum wire size                   | #20 AWG  |

**INSERT ARRANGEMENTS**

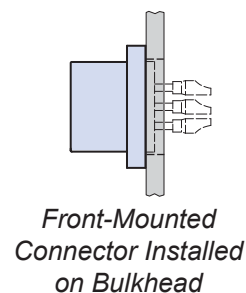
| SHELL SIZE | NUMBER OF CONTACTS | MATING FACE OF CONNECTOR |
|------------|--------------------|--------------------------|
| 1          | 9                  |                          |
| 2          | 15                 |                          |
| 3          | 25                 |                          |
| 4          | 37                 |                          |
| 5          | 50                 |                          |

**PANEL CUTOUTS**

The cutout shown is for front-panel mounting of flange style A and B.



| Shell Size | A      |        | B      |        |
|------------|--------|--------|--------|--------|
|            | In.    | mm.    | In.    | mm.    |
| 1          | ± .005 | ± 0.13 | ± .005 | ± 0.13 |
| 2          | .745   | 18.92  | .385   | 9.78   |
| 3          | .950   | 24.13  | .385   | 9.78   |
| 4          | 1.495  | 37.97  | .385   | 9.78   |
| 5          | 2.145  | 54.48  | .520   | 13.21  |



Dimensions in inches (millimeters) and are subject to change without notice.

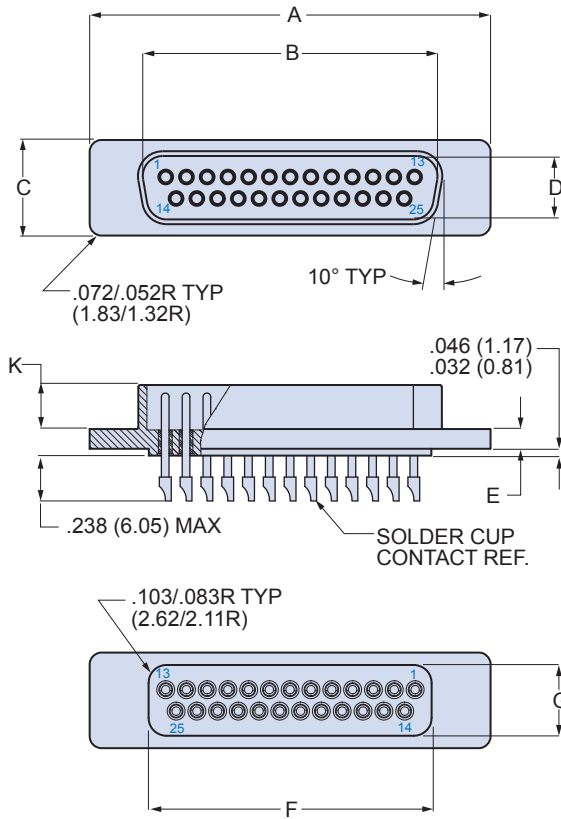
**Glenair is Distributed by Air Electro Inc.**

# MIL-DTL-24308/9 Glass-Sealed Hermetic D-Subminiature Connectors

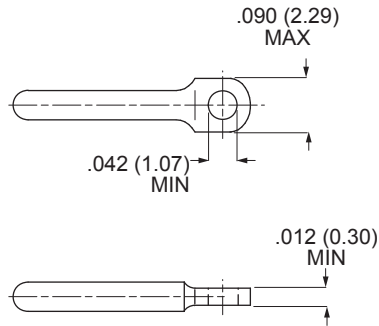
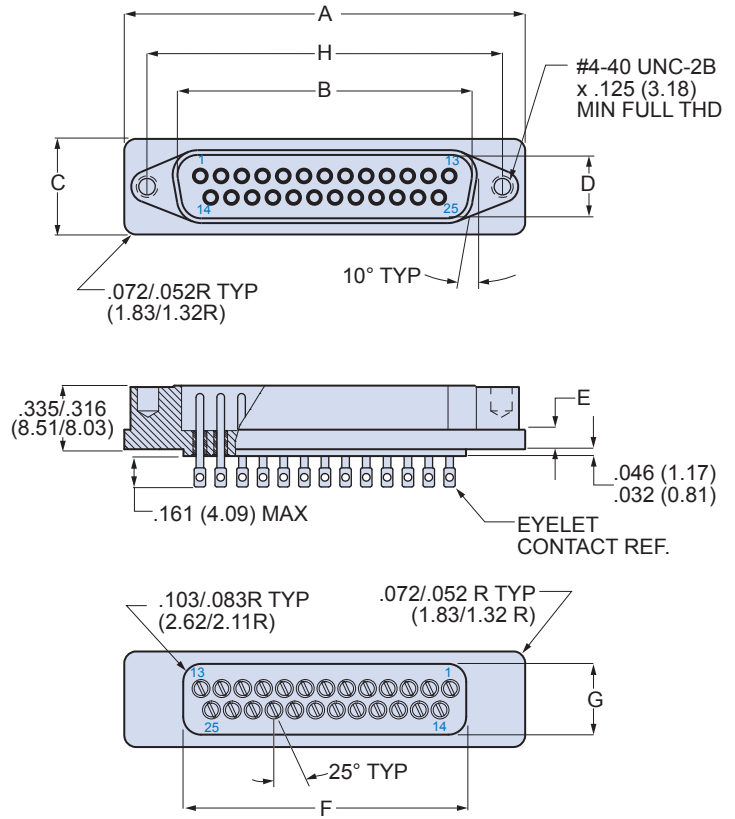


M24308  
Hermetic

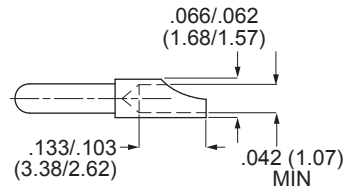
## Dimensions for Flange Style A



## Dimensions for Flange Style B



CONTACT STYLE X  
EYELET



CONTACT STYLE P  
SOLDER CUP

| Shell Size | A      |        | B      |        | C      |        | D      |        | E      |        | F      |        | G      |        | H      |        | K      |        |
|------------|--------|--------|--------|--------|--------|--------|--------|--------|--------|--------|--------|--------|--------|--------|--------|--------|--------|--------|
|            | In.    | mm.    | In.    | mm.    | In.    | mm.    | In.    | mm.    | In.    | mm.    | In.    | mm.    | In.    | mm.    | In.    | mm.    | In.    | mm.    |
| 1          | ± .015 | ± 0.38 | ± .004 | ± 0.10 | ± .010 | ± 0.25 | ± .004 | ± 0.10 | ± .006 | ± 0.15 | ± .010 | ± 0.25 | ± .010 | ± 0.25 | ± .005 | ± 0.13 | ± .010 | ± 0.25 |
| 2          | 1.213  | 30.81  | .667   | 16.94  | .498   | 12.65  | .330   | 8.38   | .094   | 2.39   | .725   | 18.42  | .369   | 9.37   | .984   | 24.99  | .235   | 5.97   |
| 3          | 1.541  | 39.14  | .993   | 25.22  | .498   | 12.65  | .330   | 8.38   | .094   | 2.39   | .932   | 23.67  | .369   | 9.37   | 1.312  | 33.32  | .235   | 5.97   |
| 4          | 2.088  | 53.04  | 1.535  | 38.99  | .498   | 12.65  | .330   | 8.38   | .103   | 2.62   | 1.479  | 37.57  | .369   | 9.37   | 1.852  | 47.04  | .230   | 5.84   |
| 5          | 2.729  | 69.32  | 2.183  | 55.45  | .498   | 12.65  | .330   | 8.38   | .103   | 2.62   | 2.125  | 53.98  | .369   | 9.37   | 2.500  | 63.50  | .230   | 5.84   |
| 5          | 2.635  | 66.93  | 2.079  | 52.81  | .610   | 15.49  | .441   | 11.20  | .103   | 2.62   | 2.000  | 50.80  | .500   | 12.70  | 2.406  | 61.11  | .230   | 5.84   |

Dimensions in inches (millimeters) and are subject to change without notice.

**Glenair is Distributed by Air Electro Inc.**



www.airelectro.com

9452 De Soto Avenue • Chatsworth, CA 91313-2231

ph. (800) 458.4412  
ph. (818) 407.5400  
fx. (818) 407.5460

email: sales@airelectro.com